



CAMPFIRE EMBERS EDUCATIONAL GAME

Michigan Department of Natural Resources, Roscommon
Equipment Center

Summary

Fabrication
instructions and
operation information
for an educational
wildfire prevention
game.



Roscommon
Equipment Center

Contents

About the Roscommon Equipment Center	1
Contact.....	2
Disclaimer	2
Introduction	2
Design and operation	3
Design	3
Assembly	3
Operation.....	4
Project illustrations	5
Side view: Campfire Embers Game illustration.....	5
Overhead view: Campfire Embers Game illustration	6

About the Roscommon Equipment Center

Tools for the future of wildland firefighting are being shaped at the Roscommon Equipment Center and Forest Fire Experiment Station. The REC provides fire agencies across the nation with specialized wildland firefighting equipment from its cutting-edge design and fabrication shop. Services include:

- Technical assistance for efficient and safe conversions of surplus federal equipment for rural fire defense.
- Developing and adapting equipment or technology for improved wildfire control.
- Testing equipment to determine suitability for wildfire control.
- Equipment information services including reports and newsletters, workshops, forums and participation in national fire equipment boards.

Contact

Roscommon Equipment Center
1337 East Robinson Lake Road
P.O. Box 68
Roscommon, Michigan 48653

Phone: 989-275-5211

Email: DNR-RoscommonEquipCtr@Michigan.gov

Website: Michigan.gov/RoscommonEquipmentCenter

Disclaimer

This report has been developed for the guidance of National Association of State Foresters member States, Provinces, Federal Agencies and their cooperators. The National Association of State Foresters and the State of Michigan assume no responsibility for the interpretation or use of this information. The use of trade, firm or corporation names is for the information and convenience of the user and does not constitute an official evaluation, conclusion, recommendation, endorsement or approval of any product or service to the exclusion of others, which may be suitable.

Introduction

To celebrate the 75th birthday of wildfire prevention icon Smokey Bear in 2019, the interactive, educational Campfire Embers Game was designed to help fire control agencies teach people how their actions and observation are key to preventing wildfires. The portable game shows players how flying embers can migrate from campfires and start wildfires.

Design and operation

Design

To play the game, participants stand on a platform in front of a pool and put out “spot fires” caused by simulated flying embers originating from a main campfire. The simulated fires are made using a fan and nylon ribbon. System controls are located in a “campfire guitar” held by the game operator and used to turn the blower and water pump on and off between participants. Players must stop the spot fires with a water pump to win the game.

The Campfire Embers Game can be transported in the bed of a pickup truck or in a small trailer. It can be assembled by two people in about an hour.

The water system is self-contained; water added to the pool is recycled by a pump after it has been sprayed on the simulated “campfires.”

Assembly

1. Put the wood frame together; care must be taken to look over drawings/plans to make sure boards are oriented correctly.
2. Install the pool liner. Pool liner must be used in both base sections of the game (front area and pool) when utilizing the game indoors or where splashed water needs to be cleaned up. A wet/dry (shop) vac can help.
3. Fill the pool. It holds about 100 gallons and will take 10 – 30 minutes depending on whether it is filled from a spigot or water tank. Water should be free of dirt/debris to limit damage to the pump.
4. Position the top frame over the pool and connect the plastic piping. The blower should be placed behind the game to reduce noise.
5. Connect the water pump, hose and nozzle.
6. Set up the canopy over the frame and pool. Add the sides in inclement/breezy weather.
7. Attach the meadow scene banner to the rear legs of the canopy. The bottom of the banner needs to be tucked into the pool behind the top frame to keep the water draining back into the pool.
8. Attach the duck blind grass to the mounting boards.
9. Place the tree and pine branch into their holders.
10. Setup the campfire ring and fan (with flames flagging) and point it toward the game.
11. Connect plastic pipes to the blower and nylon flames.

12. Connect extension cords/electrical to switches, and connect to GFCI power outlet or generator, as required. Switches (in guitar) should operate blower and water pump.

Before inviting players to start, test for air flow and water pressure.

Tear down is performed in reverse order of setup. Start with unhooking electrical power, unless the water pump is needed to remove the water from the pool.

Safety information: Fan, blower, pump and electrical cords (run on standard 110/120V AC) used must be grounded (3 prong wiring), water resistant and outdoor use rated (UL listing) to prevent danger of shock from electricity and hose/water usage.

The power source (electrical socket) must be GFCI (Ground fault circuit interrupter) protected or all cords should be plugged into a portable GFCI receptacle. Power ratings/wiring should be verified at installation and inspected to ensure safe use by operators and players.

Operation

Two people are required to operate the Campfire Embers Game.

The first helper stands at the front of the game explaining fire prevention techniques when camping or enjoying fires outside. To start the game, they drop water soluble paper “embers” over the simulated campfire which will be carried into the mock field.

After the embers are dispersed, a second helper turns on the blower, causing the “spot fire” flames will stand up in multiple places.

The first helper directs the player to use the hose and water to drench the fires, and the second turns off the blower and pump as the flames are knocked down and the player succeeds.

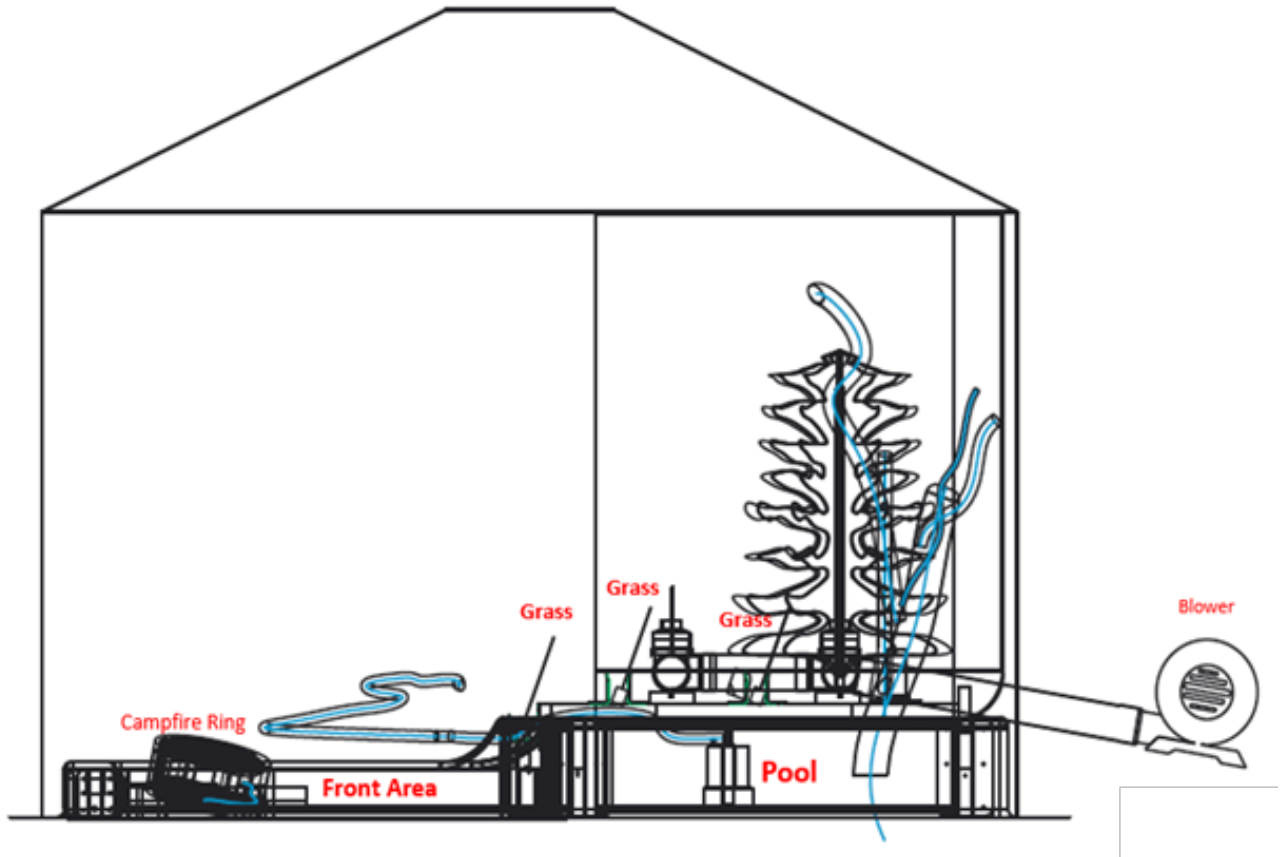
At this point, the helper up front can answer questions or prepare the game for the next player.

At times, the simulated flames may get saturated with water and require someone to dry them off with a towel and/or secondary more powerful blower. Lightweight, water-resistant nylon (such as kite material) is used for the strips of the flames to minimize the drying period. Leaving the game blower on between players can assist in drying the flames and attract new players.

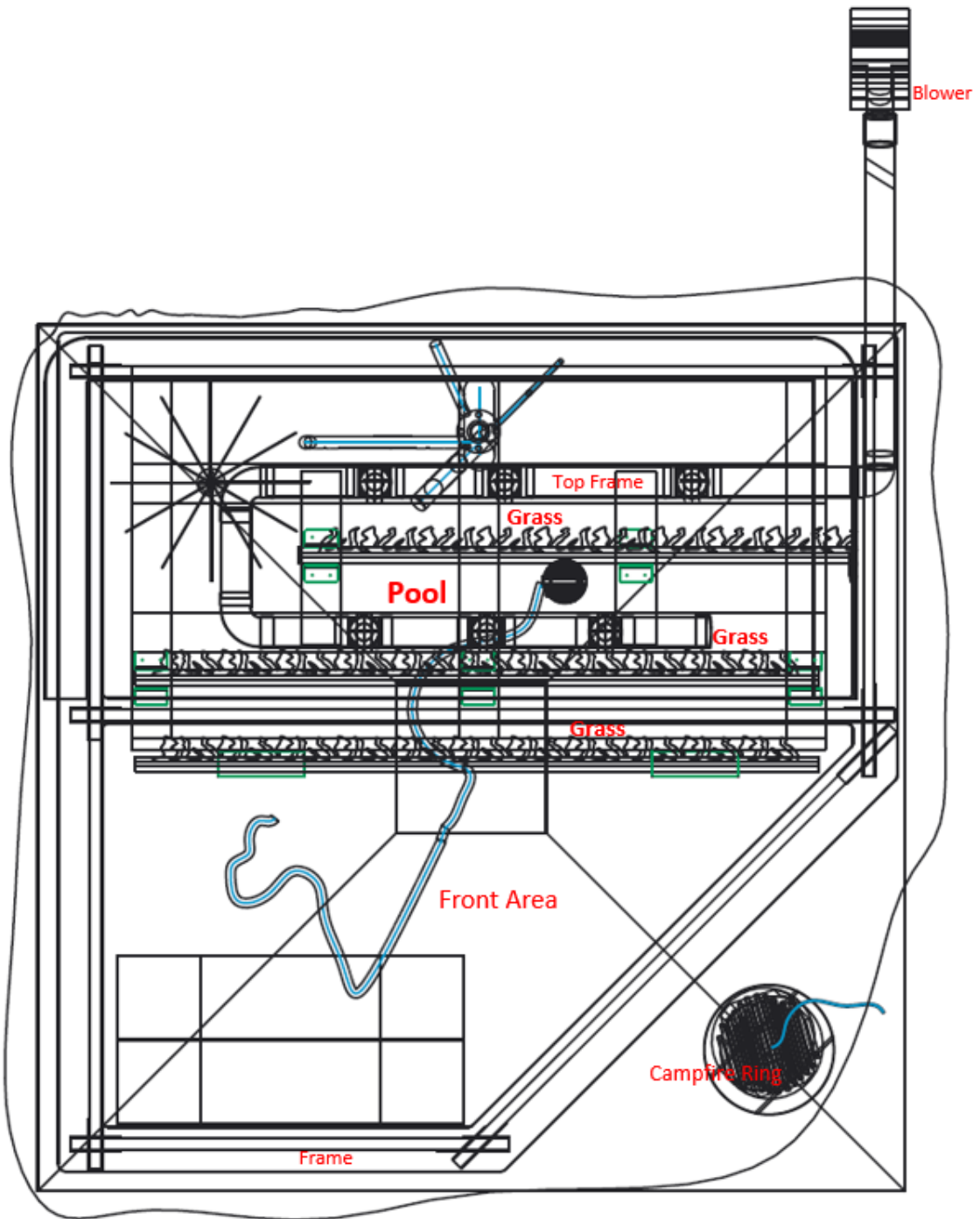
Project illustrations

Illustrations of individual parts are included in the attached project design and instructions document.

Side view: Campfire Embers Game illustration



Overhead view: Campfire Embers Game illustration

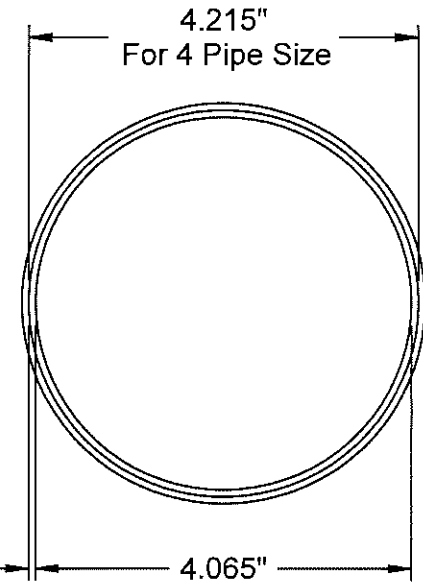
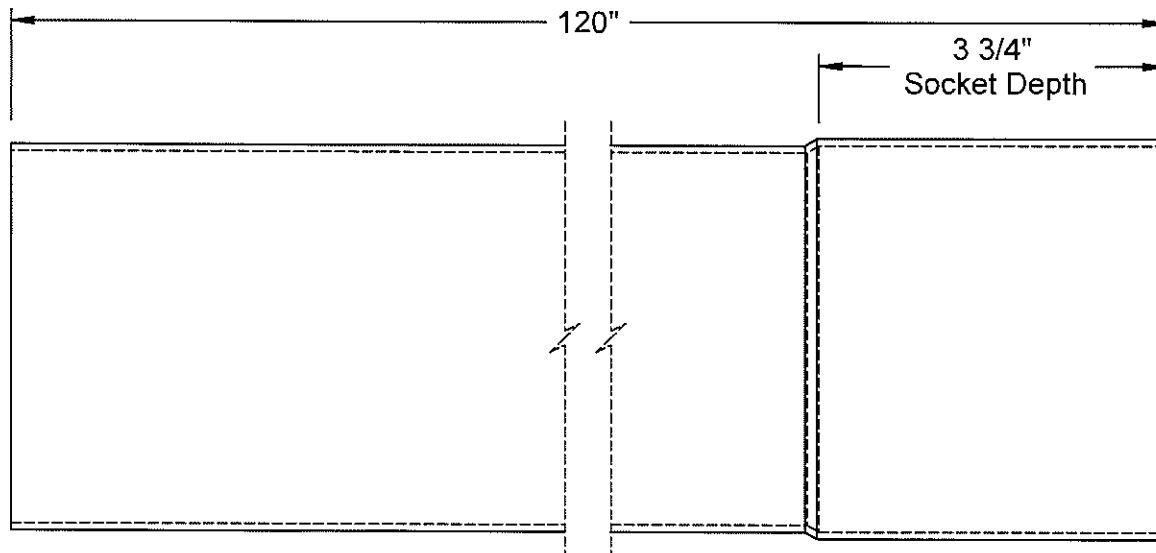
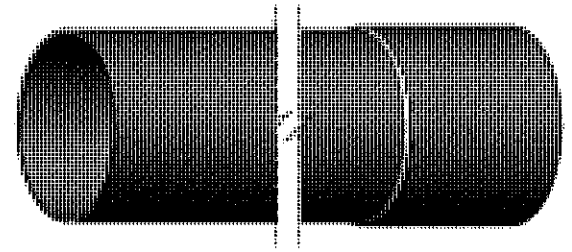


Michigan DNR Campfire Embers Game Component Bill of Material

Assembly Level											Michigan DNR Example Items		
1	2	3	4	Part Number	Description	Quantity	Part Description	Unit	Amount	Cost/Amt	Total Cost	Supplier	Supplier Part Number
X				42-0021	Campfire Embers Game Assembly		Assembly						
	X				BRANCH, LARGE (PINE)	1	Tree Branch	PC	0	\$0.00	\$0.00	nature	n/a
		X		42-0014	POOL_FRAME_ASSEMBLY	1	Assembly						
			X	42-0043	BOARD_A_PLUS_PLTS	1	Assembly						
			X	42-0007	REINFORCEMENT_PLATE_A	4	Sheet Aluminum 0.190 thick (7 x 12 In)	4x8 Sheet	0.018229167	\$320.81	\$23.39	Alro	26902450
			X	42-0008	BOARD A	1	Pressure Treated 2 x 12 (9.5 ft)	10 ft board	1	\$22.57	\$22.57	Home Depot	288730
			X	42-0017	REINFORCEMENT_PLATE_B	2	Sheet Aluminum 0.190 thick (7 x 6 In)	4x8 Sheet	0.009114583	\$320.81	\$5.85	Alro	26902450
			X		1" DRY WALL SCREW	62	1 inch Drywall screw	500 pcs	0.002	\$7.05	\$0.87	Grainger	U31300.016.0100
		X		42-0044	BOARD_B_PLUS_PLTS	1	Assembly						
			X	42-0007	REINFORCEMENT_PLATE_A	4	Sheet Aluminum 0.190 thick (7 x 12 In)	4x8 Sheet	0.018229167	\$320.81	\$23.39	Alro	26902450
			X	42-0009	BOARD B	2	Pressure Treated 2 x 12 (5 ft)	10 ft Board	0.5	\$21.57	\$21.57	Home Depot	288730
			X	42-0040	REINFORCEMENT_PLATE_C	1	Sheet Aluminum 0.190 thick (7 x 6 In)	4x8 Sheet	0.009114583	\$320.81	\$2.92	Alro	26902450
			X	42-0048	REINFORCEMENT_PLATE_C-2	1	Sheet Aluminum 0.190 thick (12 x 12 In)	4x8 Sheet	0.03125	\$320.81	\$10.03	Alro	26902450
			X		1" DRY WALL SCREW	46	1 inch Drywall screw	500 pcs	0.002	\$7.05	\$0.65	Grainger	U31300.016.0100
		X		42-0045	BOARD_C_PLUS_PLTS	1	Assembly						
			X	42-0007	REINFORCEMENT_PLATE_A	4	Sheet Aluminum 0.190 thick (7 x 12 In)	4x8 Sheet	0.018229167	\$320.81	\$23.39	Alro	26902450
			X	42-0010	BOARD C	1	Pressure Treated 2 x 12 (9.5 ft)	10 ft board	1	\$22.57	\$22.57	Home Depot	
			X		1" DRY WALL SCREW	48	1 inch Drywall screw	500 pcs	0.002	\$7.05	\$0.68	Grainger	U31300.016.0100
		X		42-0046	BOARD_D_PLUS_PLTS	1	Assembly						
			X	42-0011	BOARD D	1	Pressure Treated 2 x 12 (8 ft)	8 ft Board	1	\$18.98	\$18.98	Home Depot	112851
			X	42-0041	REINFORCEMENT_PLATE_D	1	Sheet Aluminum 0.190 thick (9 x 12 In)	4x8 Sheet	0.0234375	\$320.81	\$7.52	Alro	26902450
			X	42-0049	REINFORCEMENT_PLATE_D-2	1	Sheet Aluminum 0.190 thick (9 x 12 In)	4x8 Sheet	0.0234375	\$320.81	\$7.52	Alro	26902450
			X	42-0050	REINFORCEMENT_PLATE_D-3	1	Sheet Aluminum 0.190 thick (9 x 6 In)	4x8 Sheet	0.01171875	\$320.81	\$3.76	Alro	26902450
			X	42-0051	REINFORCEMENT_PLATE_D-4	1	Sheet Aluminum 0.190 thick (9 x 6 In)	4x8 Sheet	0.01171875	\$320.81	\$3.76	Alro	26902450
			X		1" DRY WALL SCREW	30	1 inch Drywall screw	500 pcs	0.002	\$7.05	\$0.42	Grainger	U31300.016.0100
		X		42-0047	BOARD_E_PLUS_PLTS	1	Assembly						
				42-0012	BOARD E	1	Pressure Treated 2 x 12 (6 ft)	8 ft Board	1	\$18.98	\$18.98	Home Depot	112851
				42-0017	REINFORCEMENT_PLATE_B	2	Sheet Aluminum 0.190 thick (7 x 6 In)	4x8 Sheet	0.009114583	\$320.81	\$5.85	Alro	26902450
				42-0052	REINFORCEMENT_PLATE_E	1	Sheet Aluminum 0.190 thick (10 x 6 In)	4x8 Sheet	0.013020833	\$320.81	\$4.18	Alro	26902450
				42-0053	REINFORCEMENT_PLATE_E-2	1	Sheet Aluminum 0.190 thick (6 x 6 In)	4x8 Sheet	0.0078125	\$320.81	\$2.51	Alro	26902450
			X		1" DRY WALL SCREW	28	1 inch Drywall screw	500 pcs	0.002	\$7.05	\$0.40	Grainger	U31300.016.0100
	X			42-0016	POOL_TOP_FRAME_ASM	1	Assembly						
		X		40-0054	PIPE, PVC UNDERND DRAIN 4" (20" long)	2	4" PVC Pipe	10 ft	0.166666667	\$11.74	\$3.91	Menards	PVC044000600
		X		40-0059	PIPE, PVC UNDERGND DRAIN 4" (12" long)	7	4" PVC Pipe	10 ft	0.1	\$11.74	\$8.22	Menards	PVC044000600
		X		42-0018	POOLBRACE_FRAME_STRINGER	3	Pressure Treated Pine 2x6 (5 ft)	10 ft board	0.5	\$22.57	\$33.86	Home Depot	288730
		X		42-0019	POOLBRACE_OVERHANG_TOP	3	Pressure Treated Pine 2x6 (8 ft)	8 ft Board	1	\$6.77	\$20.31	Home Depot	112851
		X		42-0026	WIRE, BENT (FLAME HOLDER)	18	1/16" wire round	Roll	1	\$7.19	\$129.42	Home Depot	AF14120
		X		42-0027	KITE MATERIAL, NYLON RIPSTOP	18	orange ripstop nylon	Roll	1	\$17.95	\$323.10	Emma Kites	40D Ripstop Nylon
		X		42-0056	ELBOW, PLASTIC SEWER AND DRAIN (90* LONG)	2	4.215" ID elbow for 4" Pipe (5.25" long)	PC	1	\$4.41	\$8.82	McMaster-Carr	9102K114
		X		42-0057	TEE, PLASTIC SEWER & DRAIN (4")	6	4.215" ID tee for 4" Pipe	PC	1	\$4.54	\$27.24	McMaster-Carr	9102K154
		X		42-0058	ELBOW, PVC DRAIN (90* SHORT)	1	4.215" ID elbow for 4" Pipe (4" long)	PC	1	\$4.49	\$4.49	McMaster-Carr	9102K122
		X		42-0060	CAP, PLASTIC DRAIN 4"	1	4.215" ID cap for 4" Pipe	PC	1	\$2.09	\$2.09	McMaster-Carr	9102K224
		X		42-0061	BRACKET_FRONT_GRASS HOLDER	2	Sheet Aluminum 0.190 thick (5 x 12 In)	4x8 Sheet	0.013020833	\$320.81	\$8.35	Alro	26902450
		X		42-0062	BRACKET_GRASS HOLDER_SHORT	10	Sheet Aluminum 0.190 thick (5 x 6 In)	4x8 Sheet	0.006510417	\$320.81	\$20.89	Alro	26902450
		X		42-0063	POOLBRACE_TOP_CROSSMEMBER	2	Pressure Treated Pine 2x6 (2 ft)	8 ft Board	0.33	\$6.77	\$4.47	Home Depot	112851
		X		42-0064	BOARD_POOLBRACE_TOP_BACK	1	Pressure Treated 2 x 12 (9 ft)	10 ft board	1	\$22.57	\$22.57	Home Depot	288730
		X		P12-AAFF	FLANGE, FLOOR, BLK IRON, 3/4" NPT	1	Black Steel 3/4" NPT Flange	PC	1	\$5.98	\$5.98	Home Depot	16-521-604
		X		P12-CAN24	NIPPLE 3/4 X 3 SCH 40 BLACK	1	Black Steel Nipple 3/4"	PC	1	\$1.69	\$1.69	McMaster-Carr	44615K455
		X		P32-AAFF	FLANGE, FLOOR, MAL IRON, 2" NPT	1	6 in flange with 2" NPT	PC	1	\$36.70	\$36.70	McMaster-Carr	68185K115
		X		P32-CGN48	NIPPLE 2 X 6 SCH 40 GALV	1	2" NPT Pipe-6" long	PC	1	\$8.32	\$8.32	McMaster-Carr	44615K489
	X			42-0020	GRASS, DUCK BLIND (MODIFIED)	2	Duck Grasss Camo	4x4 panels (4 per pk)	1	\$69.99	\$139.98	Wildfowleroutfitter.com	4x4 grass panels
	X			42-0028	CAMP FIRE RING, MODIFIED	1	6" Tall Campfire Ring (modified per print)	ring	1	\$54.00	\$54.00	Home Depot	97869VGDHD
	X			42-0034	STANDING_PALLET	1	Assembly						
		X		42-0032	PALLET_A	2	2 x 12 Pressure Treated Pine (4 ft)	8 ft Board	0.5	\$18.98	\$18.98	Home Depot	112851
		X		42-0033	PALLET_B	2	2 x 12 Pressure Treated Pine (2 ft)	8 ft Board	0.25	\$18.98	\$9.49	Home Depot	112851
	X			42-0055	PIPE, UNGRD SEWER-DRAIN 4 IN, PVC (120" long)	1	4" Sewer Pipe (10 ft)	10 ft	1	\$11.74	\$11.74	Menards	PVC044000600
	X			Purchased	BANNER, 5 BY 20 FOOT (MEADOW SCENE)	1	Printed Meadow Scene Banner (5x20 ft)	PC	1	\$225.00	\$225.00	Kirtland CC	n/a
	X			Purchased	CANOPY_10x10_EASY_UP	1	10x10 Canopy (easy-up)	canopy	1	\$228.95	\$228.95	ABCCanopy	B01DZ50M3S
	X			Purchased	HOSE, HOT WATER 5/8" DIA, RED	1	5/8" commercial grade hose	PC	1	\$28.31	\$28.31	Apex (Home Depot)	8695 50
	X			Purchased	LINER, POOL VINYL (BLACK)	1	Black Pool Liner	tarp	1	\$176.00	\$176.00	Billboard Tarps (Amazon)	B00XWYIHMO
	X			Purchased	TREE, X-MAS (FAKE)	1	Artificial Christmas Tree	tree	1	\$105.99	\$105.99	Oncor (Amazon)	B072JN7XWT
	X			Purchased	BLOWER, INFLATABLE 1/4HP, 380 CFM	1	380 cfm inflatable blower	blower	1	\$79.00	\$79.00	Xpower	BR-15
	X			Purchased	COUPLING, FLEX PVC 4IN X 2 IN DWV	6	Flex Reducer (4 x 2 in)	PC	1	\$9.77	\$58.62	Fernco (Home Depot)	P1056-42
	X			Purchased	FAN 14" OUTDOOR WALL (110V)	1	14 inch outdoor wall fan	waterproof fan	1	\$96.17	\$96.17	iLiving (Home Depot)	3 speed outdoor fan
	X			Purchased	SUBMERSIBLE PUMP, PORTABLE (110V)	1	portable submersible pump (792 gph)	pump	1	\$42.99	\$42.99	Northern Tool	42358

Total Cost \$2,177.40

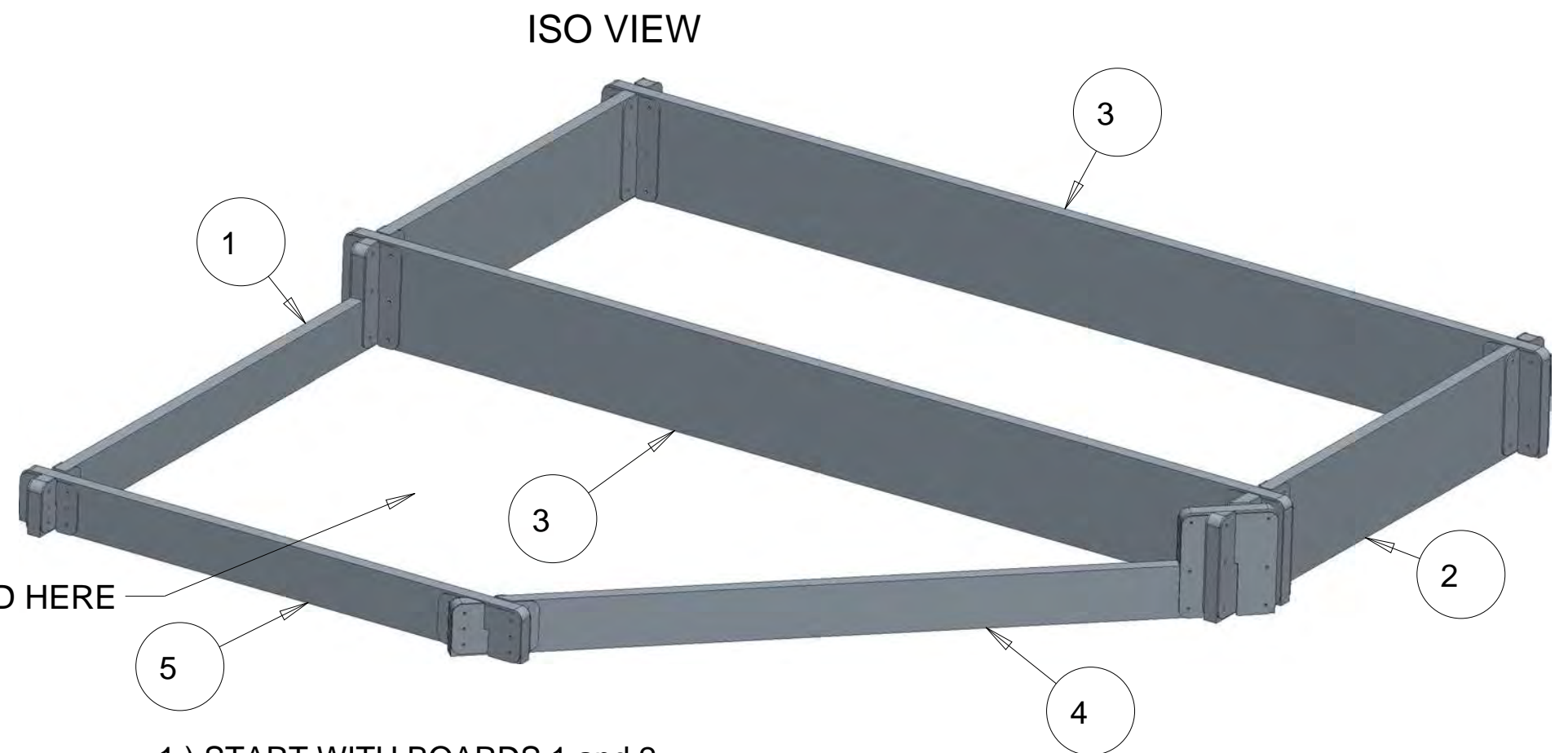
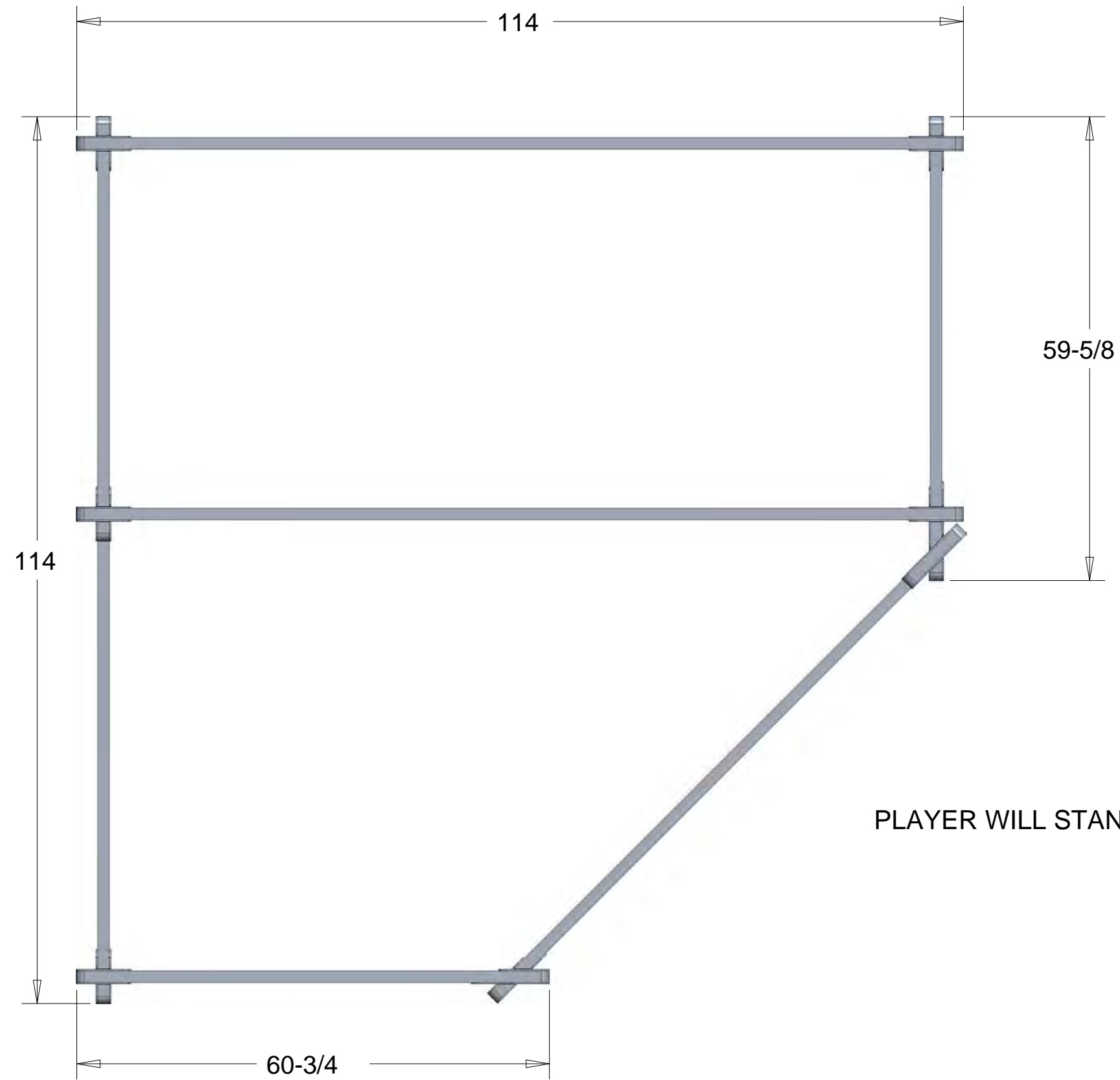
Assembly



42-0055

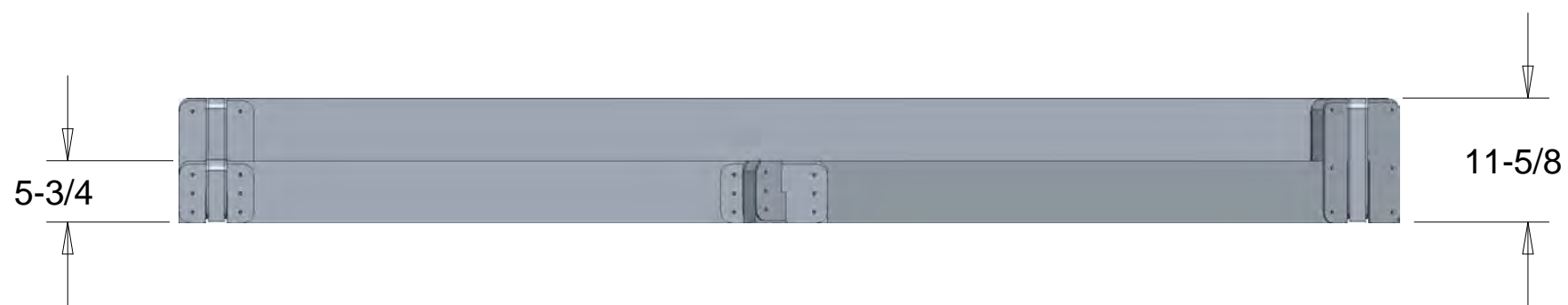
McMASTER-CARR <small>CAD</small>	PART NUMBER 42-0055
http://www.mcmaster.com	Underground Sewer and Drain PVC
© 2013 McMaster-Carr Supply Company	Unthreaded Pipe
<small>Information in this drawing is provided for reference only.</small>	

ITEM	PART NO.	DWG	DESCRIPTION	QTY
1	42-0043	C	BOARD_A_PLUS_PLTS	1
2	42-0044	C	BOARD_B_PLUS_PLTS	1
3	42-0045	C	BOARD_C_PLUS_PLTS	2
4	42-0046	C	BOARD_D_PLUS_PLTS	1
5	42-0047	C	BOARD_E_PLUS_PLTS	1

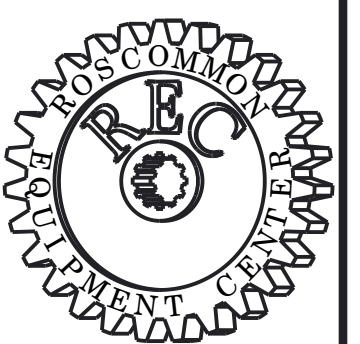


PLAYER WILL STAND HERE

- 1.) START WITH BOARDS 1 and 2.
THEN SLIDE BOARDS 3, 4, and 5 - IN FROM TOP
- 2.) PLACE POOL LINER OVER FRAME ONCE ASSEMBLED.

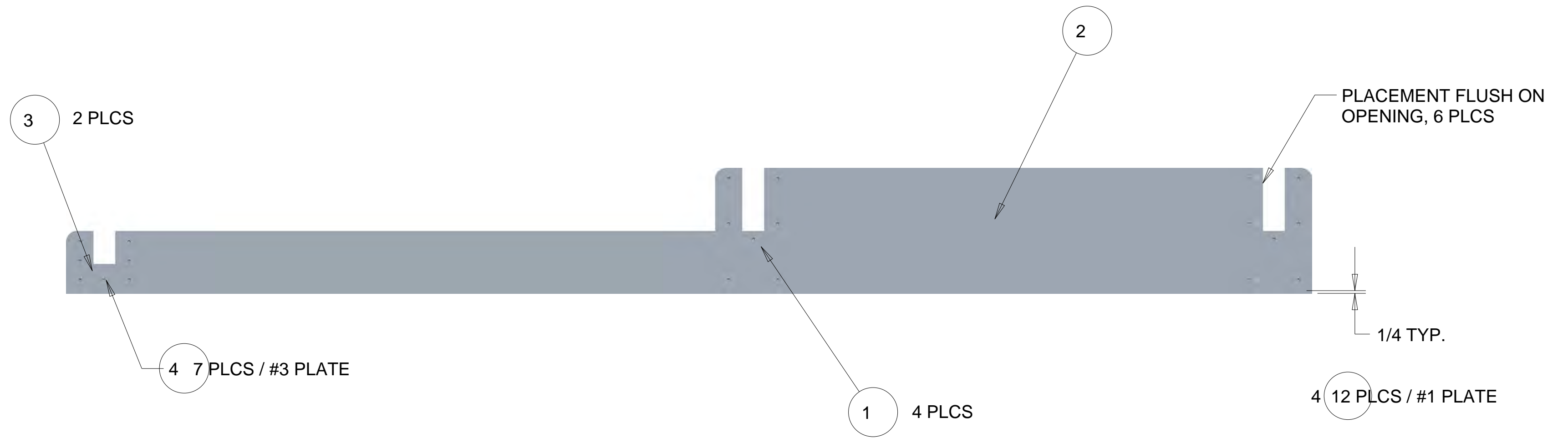


STD. TOL.				DRAWN: DCM			
FRACTIONAL:				DESIGNED: DCM			
0 TO 6 IN + - 1/32				APPROVED:			
6 IN AND UP + - 1/16				DATE: 28-Aug-2018			
ANGULAR:		A.6		SCALE:			
+ - 1 DEG.		NO. BY DATE		REVISION			
DECIMAL:		ROSCOMMON EQUIPMENT CENTER P.O. BOX 68 ROSCOMMON, MICHIGAN 48653				DWG. NO. 42-0014	
1 PLACE + - 0.05						SIZE: C	
2 PLACE + - 0.01		PROJECT NO.:		TITLE: POOL_FRAME_ASSEMBLY			
3 PLACE + - 0.005							



Pool Frame Assembly

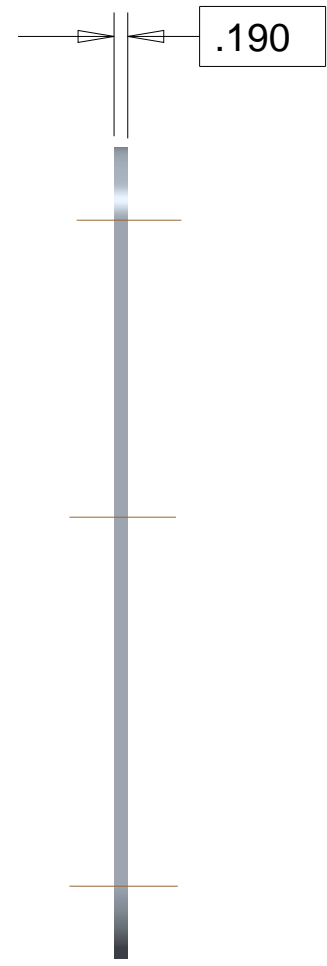
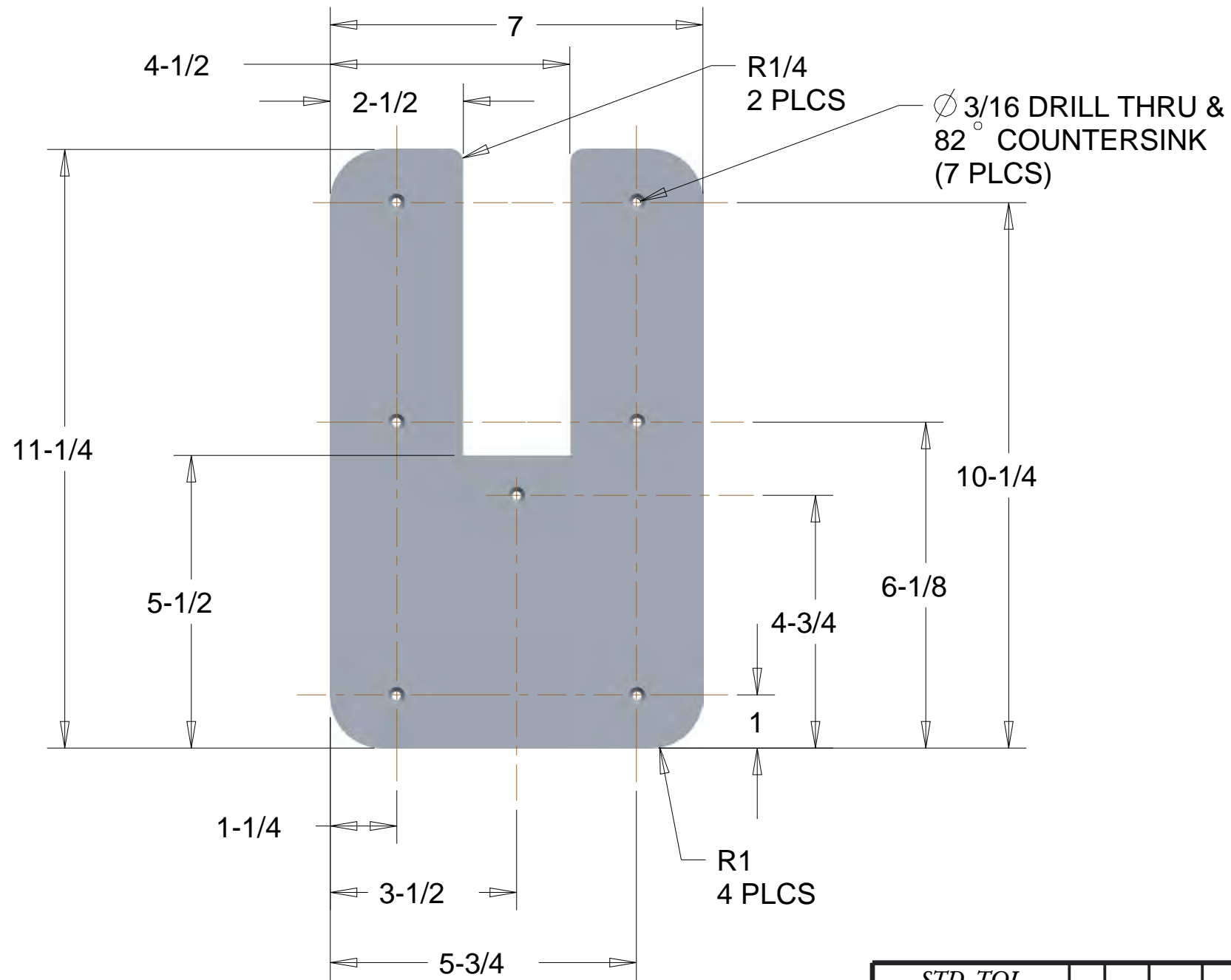
ITEM	PART NO.	DWG	DESCRIPTION	QTY
1	42-0007	B	REINFORCEMENT_PLATE_A	4
2	42-0008	B	BOARD A	1
3	42-0017	B	REINFORCEMENT_PLATE_B	2
4			1-1/2" DRY WALL SCREW	62



SCALE 0.125

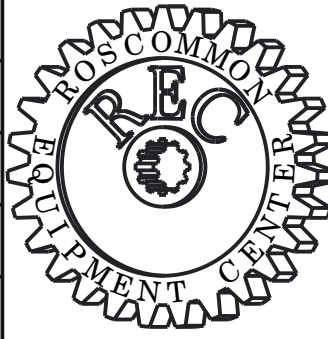
PART NO: 42-0043
EST WT: 1416.070 LBS

STD. TOL.				DRAWN: MTF			
FRACTIONAL: 0 TO 6 IN + - 1/32 6 IN AND UP + - 1/16				DESIGNED: MTF			
ANGULAR: + - 1 DEG.		A.1		APPROVED:			
		NO. BY DATE		DATE: 04-Sep-2018			
DECIMAL: 1 PLACE + - 0.05 2 PLACE + - 0.01 3 PLACE + - 0.005		ROSCOMMON EQUIPMENT CENTER P.O. BOX 68 ROSCOMMON, MICHIGAN 48653				SCALE:	
PROJECT NO.:		TITLE: BOARD_A_PLUS_PLTS				DWG. NO. 42-0043	
						SIZE: C	

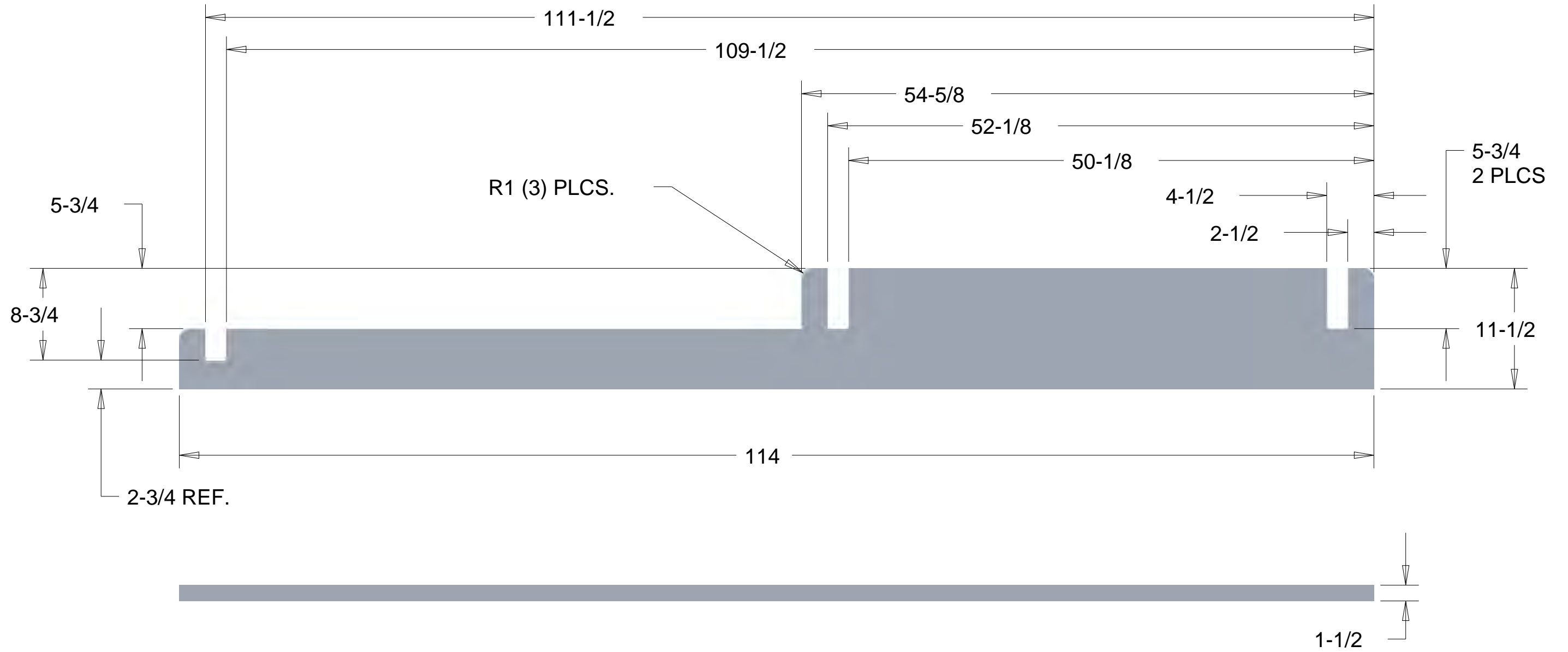


SCALE 0.375

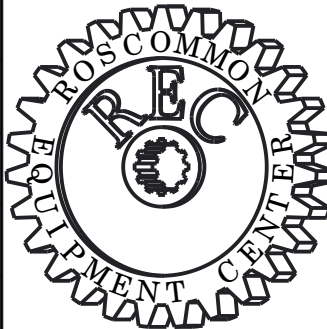
PART NO: 42-0007
 MAT'L: SHEET_ALUM - .190 X 4 X 8
 FFES SPEC NO: AA-19048AT
 EST WT: 1.241 LBS

STD. TOL.								DRAWN: MTF		
FRACTIONAL: 0 TO 6 IN + - 1/32 6 IN AND UP + - 1/16								DESIGNED: MTF		
ANGULAR: + - 1 DEG.	A.3							APPROVED:		
DECIMAL: 1 PLACE + - 0.05 2 PLACE + - 0.01 3 PLACE + - 0.005	No.	BY	DATE	REVISION				DATE: 30-Aug-2018		
PROJECT NO.:	TITLE: REINFORCEMENT_PLATE_A							SCALE:	DWG. NO. 42-0007	SIZE: B

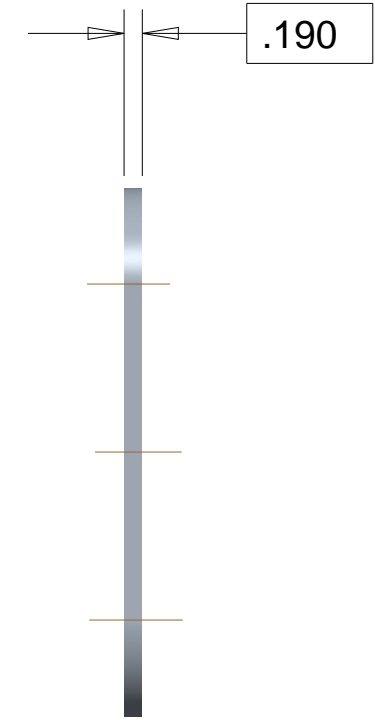
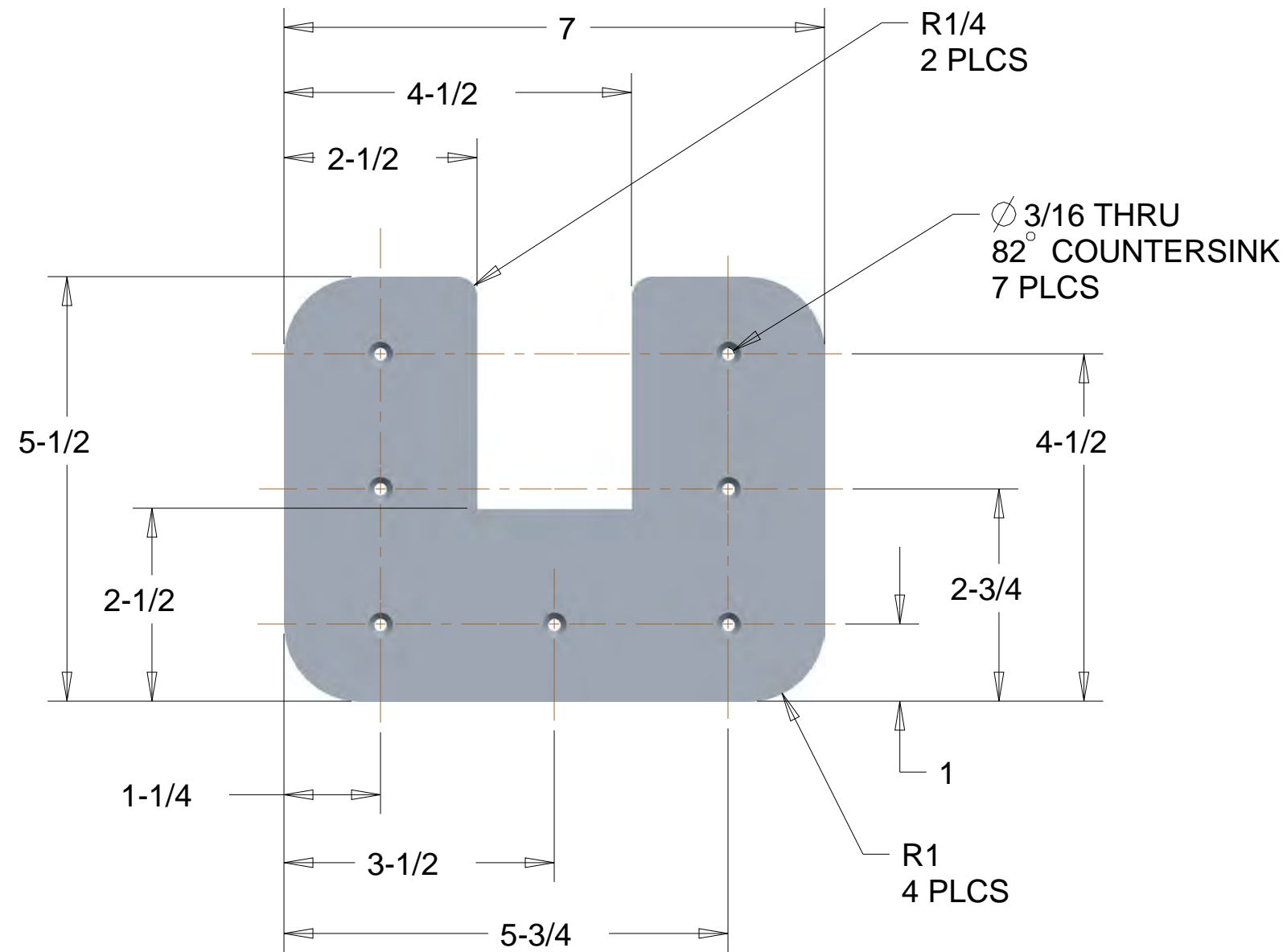
ROSCOMMON EQUIPMENT CENTER
 P.O. BOX 68 ROSCOMMON, MICHIGAN 48653



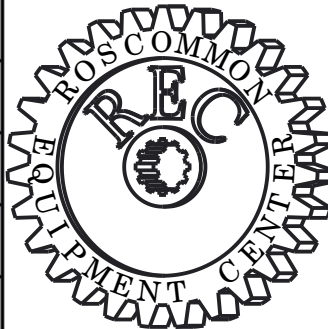
MATERIAL: PRESSURE TREATED PINE 2 X 12

STD. TOL.						DRAWN: DCM		
FRACTIONAL: 0 TO 6 IN + - 1/32 6 IN AND UP + - 1/16						DESIGNED: DCM		
ANGULAR: + - 1 DEG.	A.2					APPROVED:		
DECIMAL: 1 PLACE + - 0.05 2 PLACE + - 0.01 3 PLACE + - 0.005	No.	BY	DATE	REVISION		DATE: 28-Aug-2018		
PROJECT NO.:	TITLE: BOARD A					SCALE:	DWG. NO. 42-0008	SIZE: B

ROSCOMMON EQUIPMENT CENTER
P.O. BOX 68 ROSCOMMON, MICHIGAN 48653



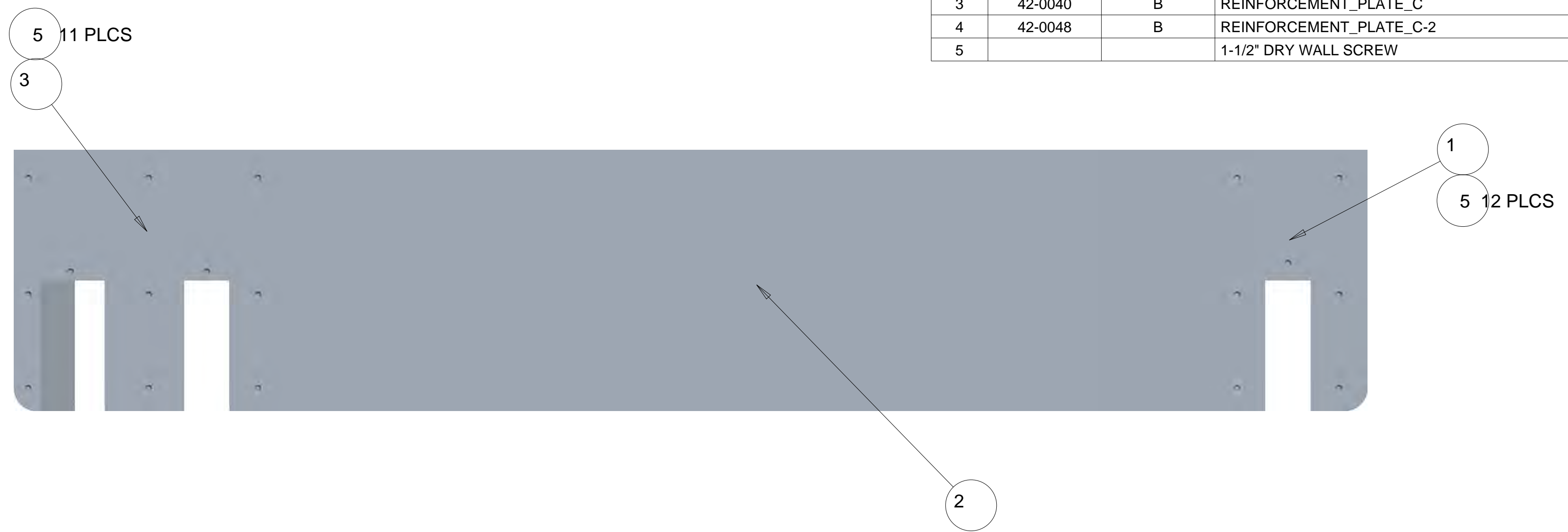
PART NO: 42-0017
 MAT'L: SHEET_ALUM - .190 X 4 X 8
 FFES SPEC NO: AA-19048AT
 EST WT: 0.590 LBS

STD. TOL.								DRAWN: MTF		
FRACTIONAL: 0 TO 6 IN + .1/32 6 IN AND UP + .1/16								DESIGNED: MTF		
ANGULAR: + .1 DEG.	A.1							APPROVED:		
DECIMAL: 1 PLACE + .005 2 PLACE + .001 3 PLACE + .0005	NO.	BY	DATE	REVISION				DATE: 04-Sep-2018		
PROJECT NO.:	TITLE: REINFORCEMENT_PLATE_B							SCALE:	DWG. NO. 42-0017	SIZE: B

ROSCOMMON EQUIPMENT CENTER

P.O. BOX 68 ROSCOMMON, MICHIGAN 48653

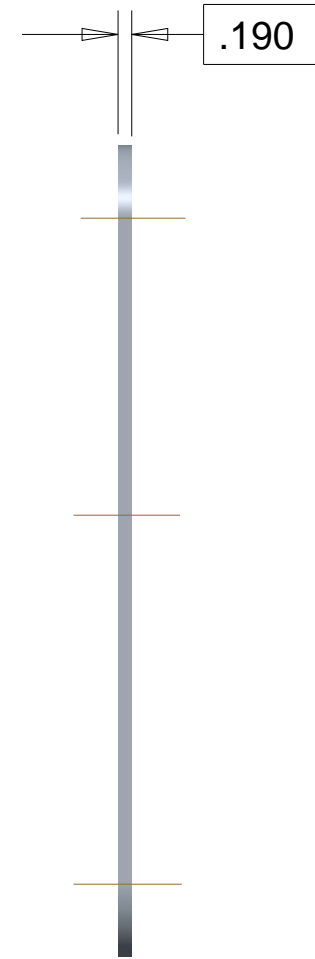
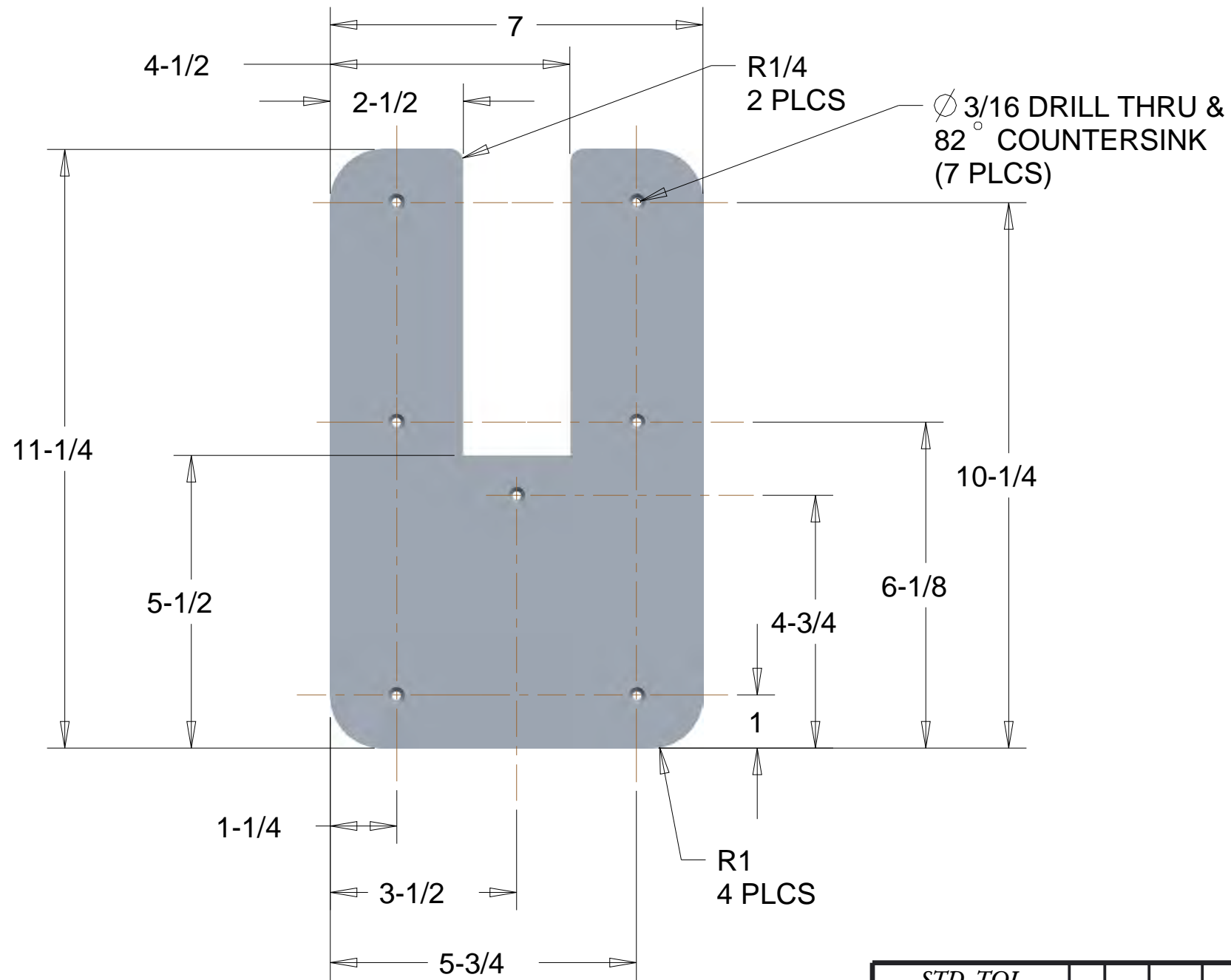
ITEM	PART NO.	DWG	DESCRIPTION	QTY
1	42-0007	B	REINFORCEMENT_PLATE_A	2
2	42-0009	B	BOARD_B	1
3	42-0040	B	REINFORCEMENT_PLATE_C	1
4	42-0048	B	REINFORCEMENT_PLATE_C-2	1
5			1-1/2" DRY WALL SCREW	46



PART NO: 42-0044
EST WT: 975.569 LBS

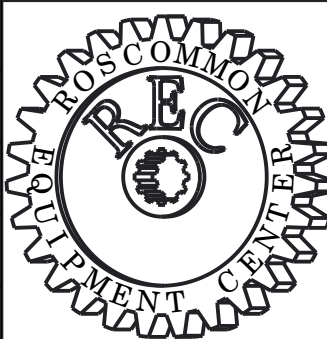
SCALE 0.250

STD. TOL.				DRAWN:		
FRACTIONAL:				MTF		
ANGULAR:				DESIGNED:		
DECIMAL:				MTF		
PROJECT NO.:		TITLE: BOARD_B_PLUS_PLTS		APPROVED:		
				DATE:		
				05-Sep-2018		
				SCALE:		
				DWG. NO.:		
				42-0044		
				SIZE:		
				C		

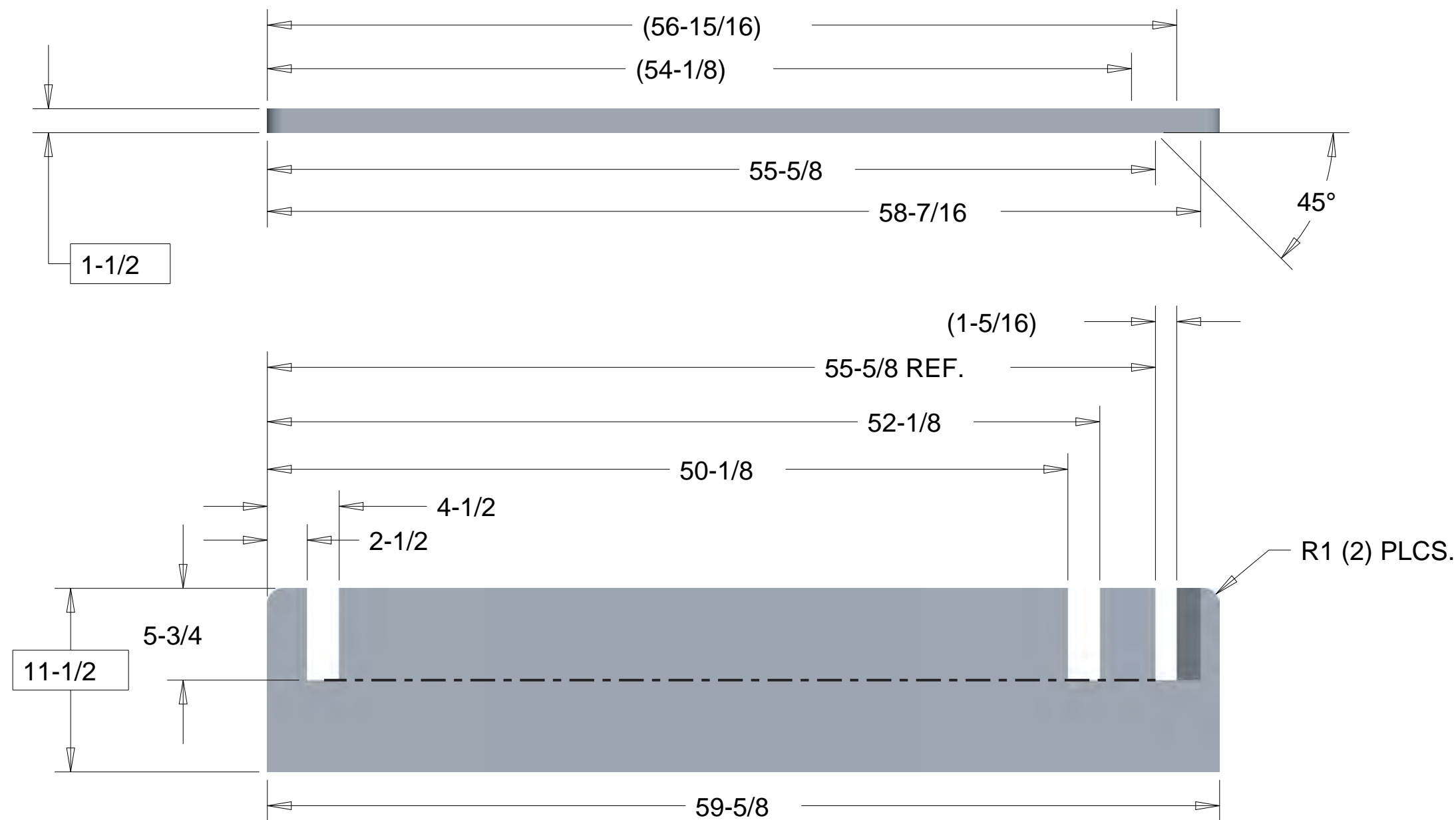


SCALE 0.375

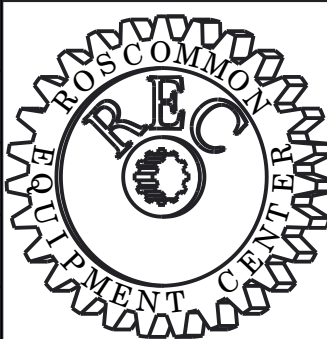
PART NO: 42-0007
 MAT'L: SHEET_ALUM - .190 X 4 X 8
 FFES SPEC NO: AA-19048AT
 EST WT: 1.241 LBS

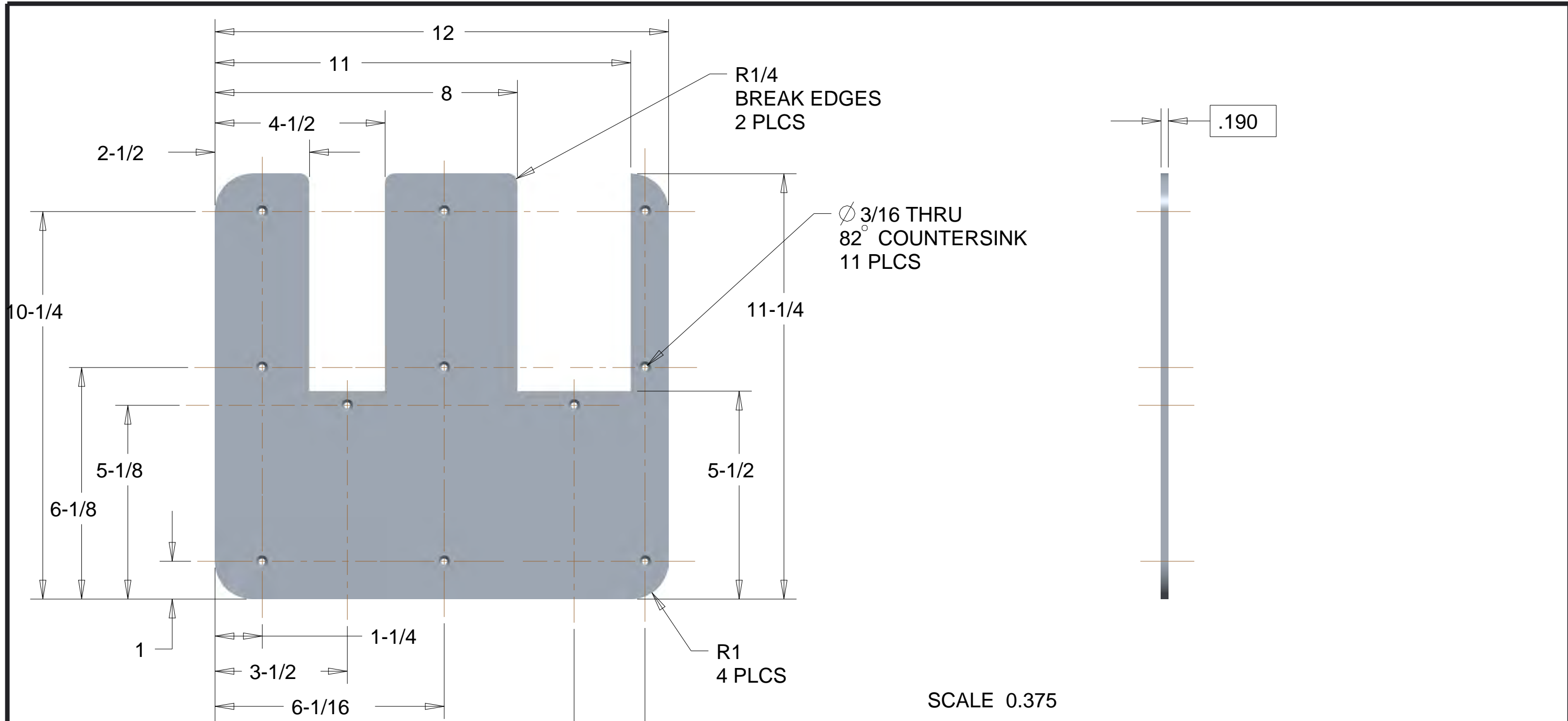
STD. TOL.								DRAWN: MTF		
FRACTIONAL: 0 TO 6 IN + - 1/32 6 IN AND UP + - 1/16								DESIGNED: MTF		
ANGULAR: + - 1 DEG.	A.3							APPROVED:		
DECIMAL: 1 PLACE + - 0.05 2 PLACE + - 0.01 3 PLACE + - 0.005	No.	BY	DATE	REVISION				DATE: 30-Aug-2018		
PROJECT NO.:	TITLE: REINFORCEMENT_PLATE_A							SCALE:	DWG. NO. 42-0007	SIZE: B

ROSCOMMON EQUIPMENT CENTER
 P.O. BOX 68 ROSCOMMON, MICHIGAN 48653

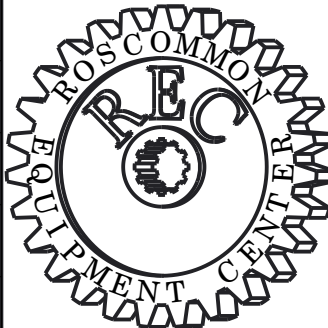


MATERIAL: PRESSURE TREATED PINE 2 X 12

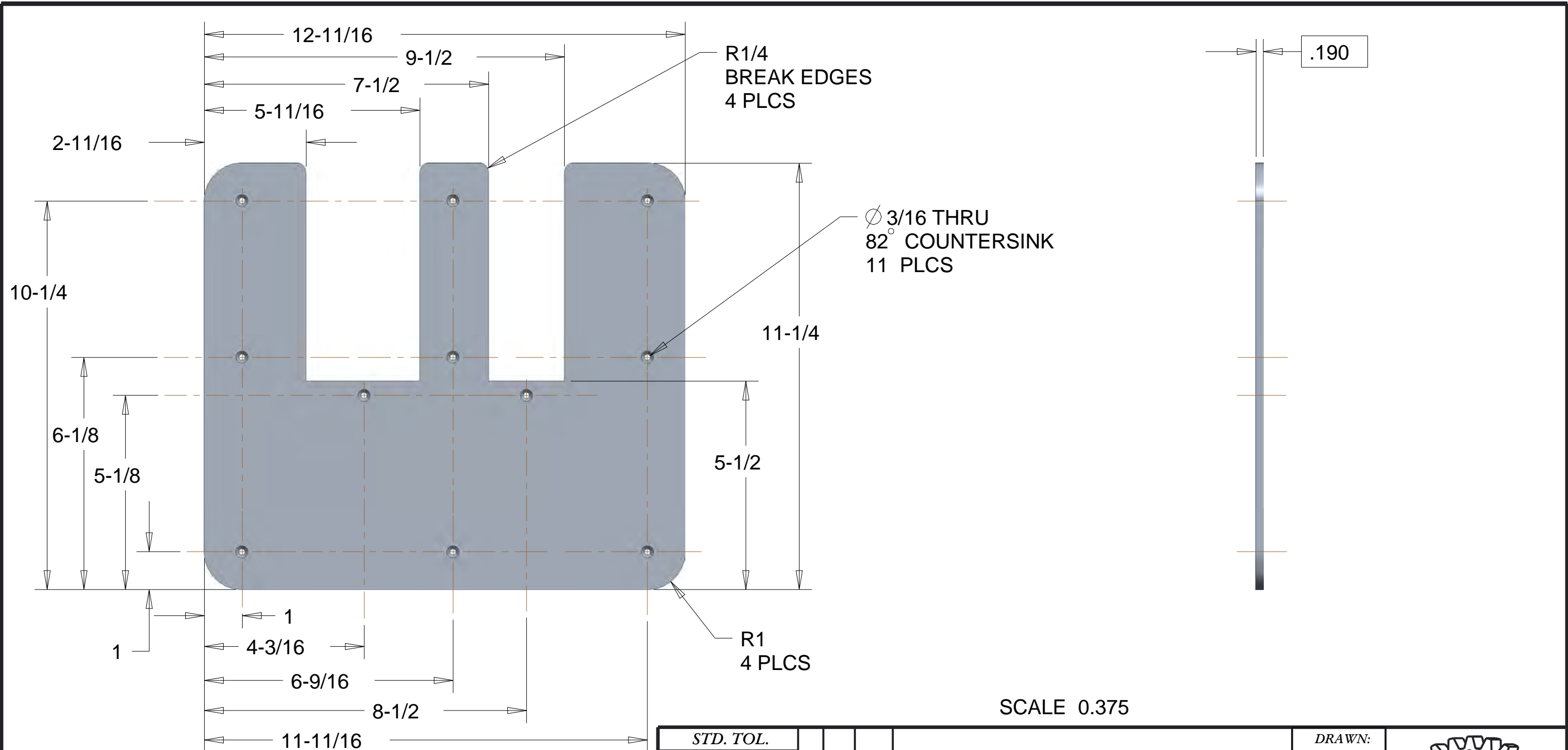
STD. TOL.								DRAWN: DCM	
FRACTIONAL: 0 TO 6 IN + - 1/32 6 IN AND UP + - 1/16								DESIGNED: DCM	
ANGULAR: + - 1 DEG.	A.3							APPROVED:	
DECIMAL: 1 PLACE + - 0.05 2 PLACE + - 0.01 3 PLACE + - 0.005	No.	BY	DATE	REVISION				DATE: 28-Aug-2018	
PROJECT NO.:	ROSCOMMON EQUIPMENT CENTER P.O. BOX 68 ROSCOMMON, MICHIGAN 48653							SCALE:	DWG. NO. 42-0009
TITLE: BOARD_B								SIZE: B	



PART NO: 42-0040
 MAT'L: SHEET_ALUM - .190 X 4 X 8
 FFES SPEC NO: AA-19048AT
 EST WT: 1.975 LBS

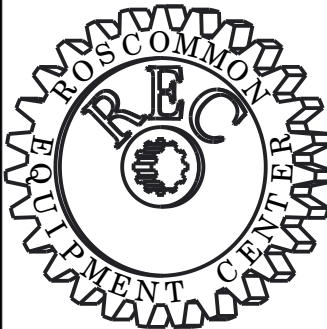
STD. TOL.						DRAWN: MTF	
FRACTIONAL: 0 TO 6 IN + - 1/32 6 IN AND UP + - 1/16						DESIGNED: MTF	
ANGULAR: + - 1 DEG.	A.2					APPROVED:	
DECIMAL: 1 PLACE + - 0.05 2 PLACE + - 0.01 3 PLACE + - 0.005	No.	BY	DATE	REVISION		DATE: 05-Sep-2018	
PROJECT NO.:	TITLE: REINFORCEMENT_PLATE_C					SCALE:	DWG. NO. 42-0040
							SIZE: B

ROSCOMMON EQUIPMENT CENTER
 P.O. BOX 68 ROSCOMMON, MICHIGAN 48653



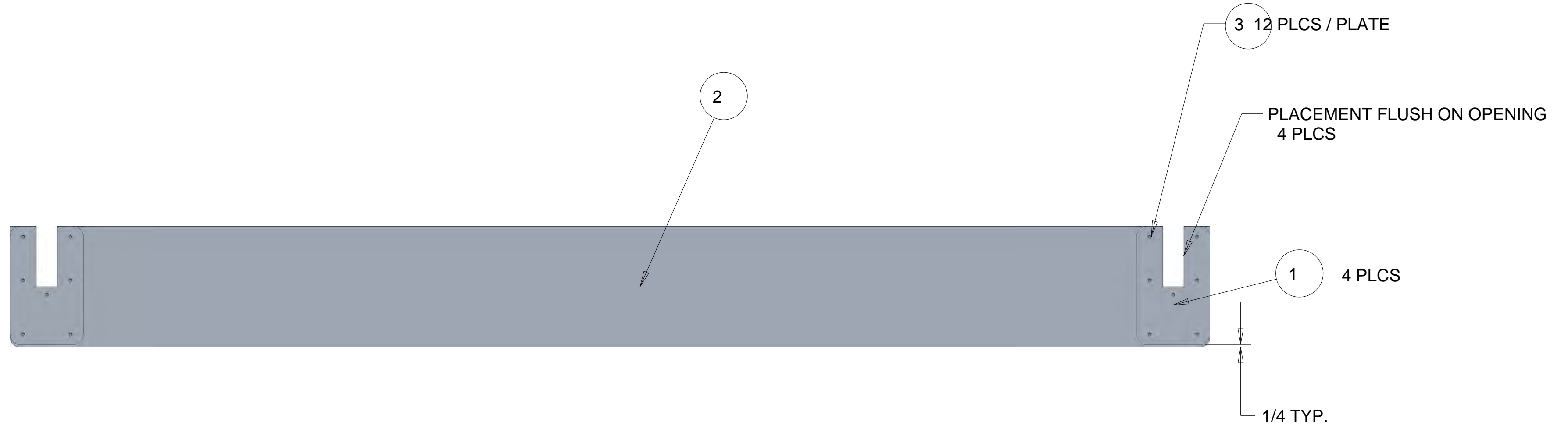
SCALE 0.375

PART NO: 42-0048
 MAT'L: SHEET_ALUM - .190 X 4 X 8
 FFES SPEC NO: AA-19048AT
 EST WT: 2.120 LBS

STD. TOL.								DRAWN: MTF		
FRACTIONAL: 0 TO 6 IN + - 1/32 6 IN AND UP + - 1/16								DESIGNED: MTF		
ANGULAR: + - 1 DEG.	A.2							APPROVED:		
DECIMAL: 1 PLACE + - 0.05 2 PLACE + - 0.01 3 PLACE + - 0.005	NO.	BY	DATE	REVISION				DATE: 05-Sep-2018		
PROJECT NO.:	TITLE: REINFORCEMENT_PLATE_C-2							SCALE:	DWG. NO. 42-0048	SIZE: B

ROSCOMMON EQUIPMENT CENTER
 P.O. BOX 68 ROSCOMMON, MICHIGAN 48653

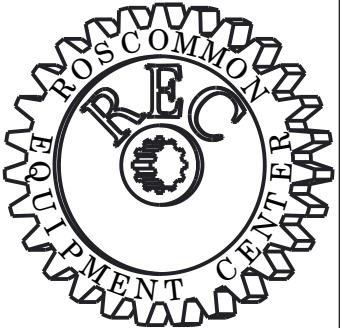
ITEM	PART NO.	DWG	DESCRIPTION	QTY
1	42-0007	B	REINFORCEMENT_PLATE_A	4
2	42-0010	B	BOARD_C	1
3			1-1/2" DRY WALL SCREW	48

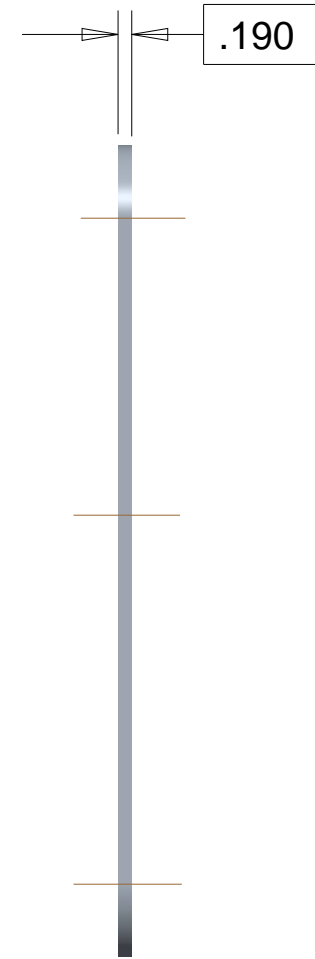
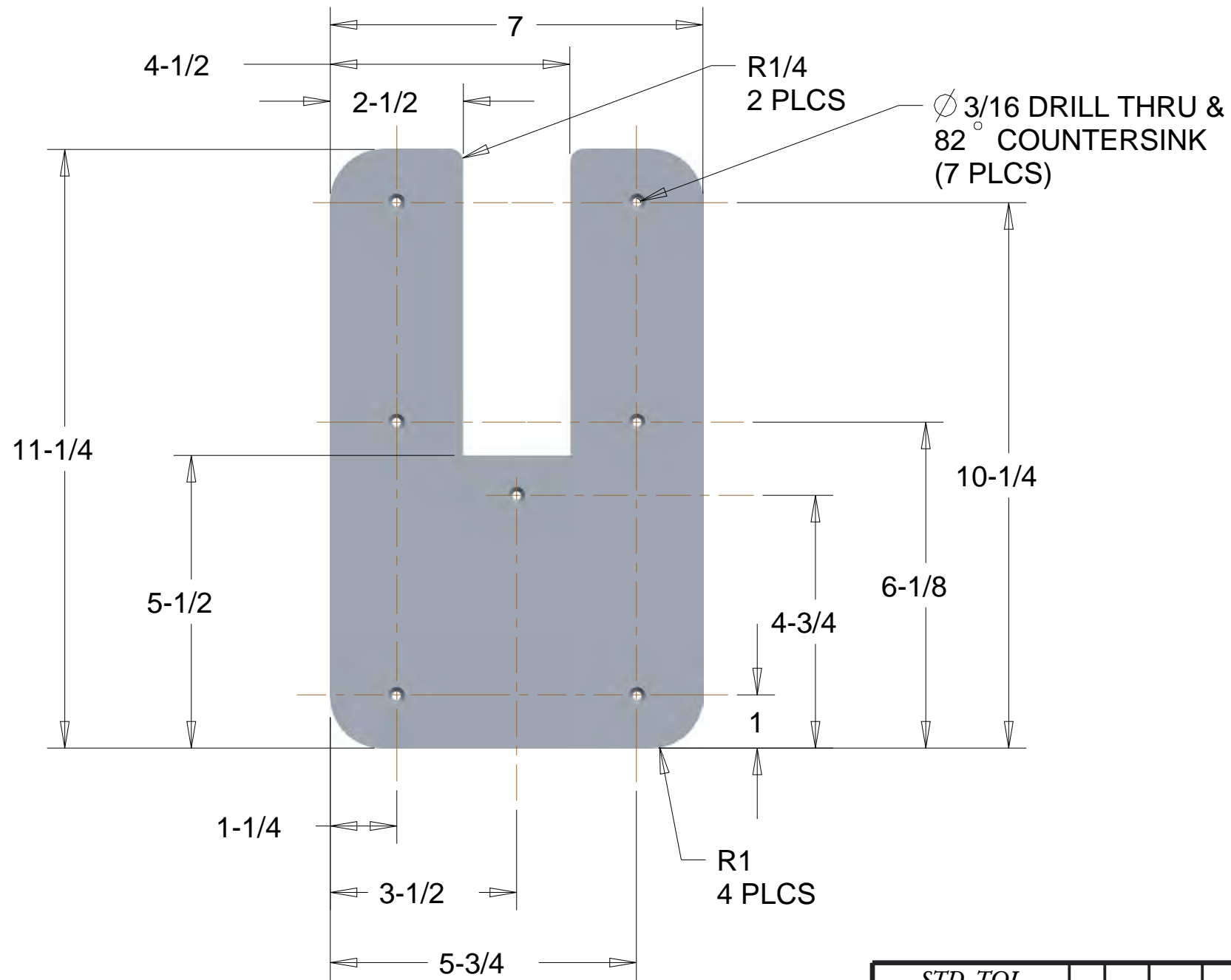


SCALE 0.125

PART NO: 42-0045
EST WT: 1936.320 LBS

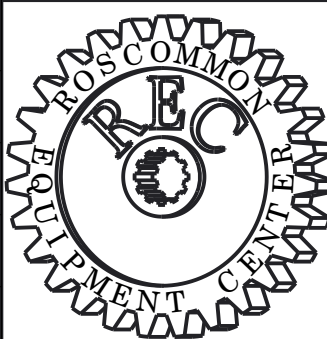
STD. TOL.						DRAWN: MTF
FRACTIONAL: 0 TO 6 IN + - 1/32 6 IN AND UP + - 1/16						DESIGNED: MTF
ANGULAR: + - 1 DEG.		A.1				APPROVED:
DECIMAL: 1 PLACE + - 0.05 2 PLACE + - 0.01 3 PLACE + - 0.005		No.	BY	DATE	REVISION	DATE: 04-Sep-2018 SCALE:
PROJECT NO.:		TITLE: BOARD_C_PLUS_PLTS				DWG. NO. 42-0045
						SIZE: C



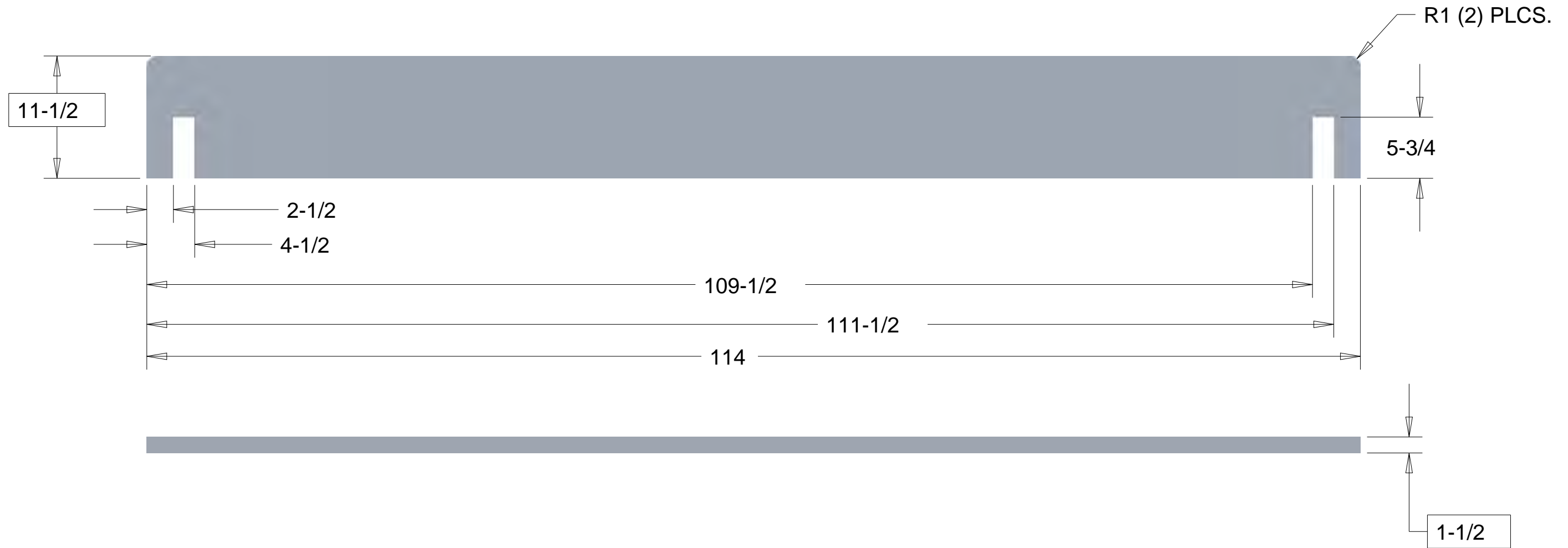


SCALE 0.375

PART NO: 42-0007
 MAT'L: SHEET_ALUM - .190 X 4 X 8
 FFES SPEC NO: AA-19048AT
 EST WT: 1.241 LBS

STD. TOL.								DRAWN: MTF		
FRACTIONAL: 0 TO 6 IN + - 1/32 6 IN AND UP + - 1/16								DESIGNED: MTF		
ANGULAR: + - 1 DEG.	A.3							APPROVED:		
DECIMAL: 1 PLACE + - 0.05 2 PLACE + - 0.01 3 PLACE + - 0.005	No.	BY	DATE	REVISION				DATE: 30-Aug-2018		
PROJECT NO.:	TITLE: REINFORCEMENT_PLATE_A							SCALE:	DWG. NO. 42-0007	SIZE: B

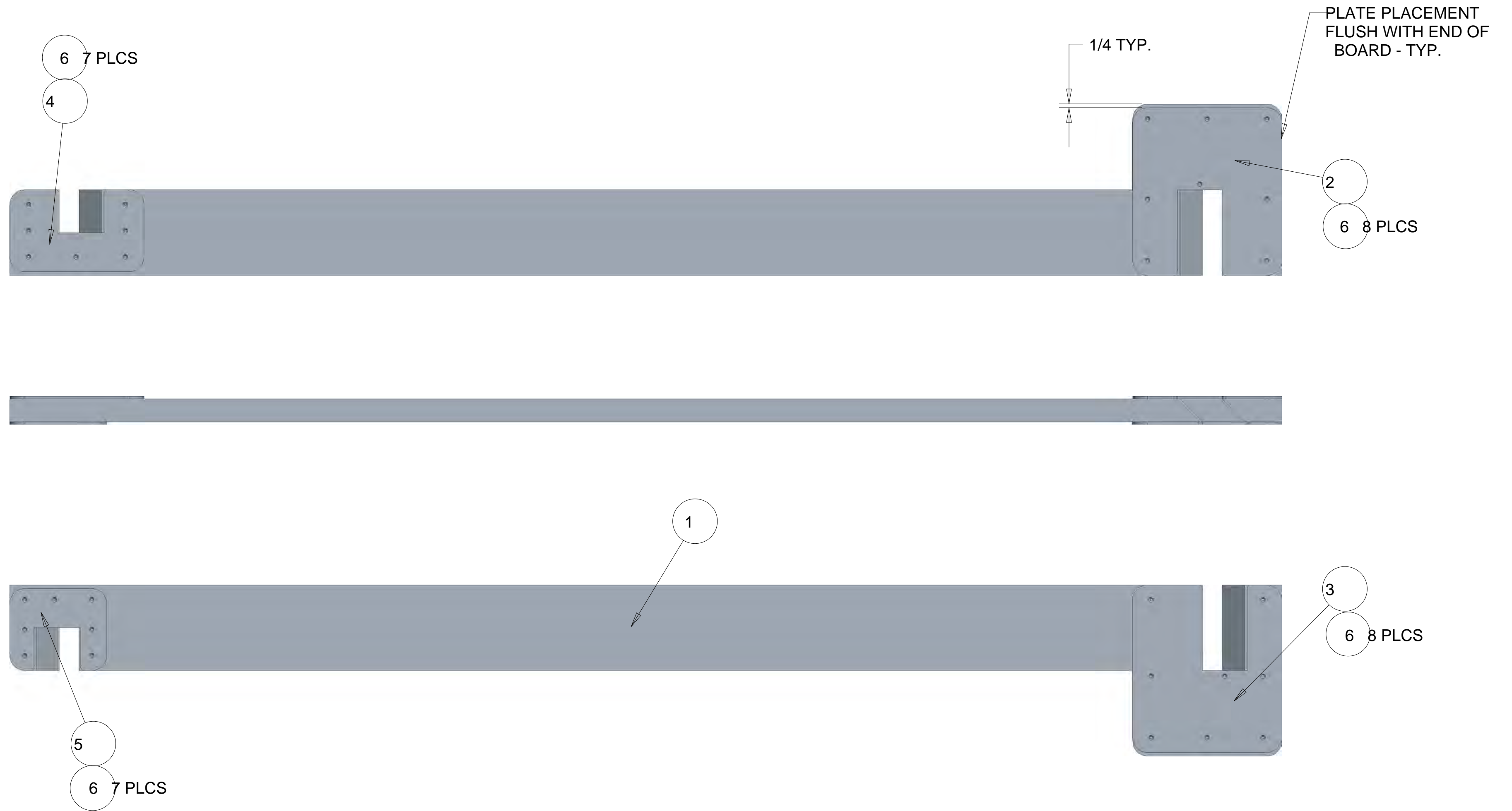
ROSCOMMON EQUIPMENT CENTER
 P.O. BOX 68 ROSCOMMON, MICHIGAN 48653



MATERIAL: PRESSURE TREATED PINE 2 X 12

STD. TOL.						DRAWN: DCM	
FRACTIONAL: 0 TO 6 IN + - 1/32 6 IN AND UP + - 1/16						DESIGNED: DCM	
ANGULAR: + - 1 DEG.	A.2					APPROVED:	
DECIMAL: 1 PLACE + - 0.05 2 PLACE + - 0.01 3 PLACE + - 0.005	NO.	BY	DATE	REVISION		DATE: 28-Aug-2018	
PROJECT NO.:	TITLE: BOARD_C					SCALE:	DWG. NO. 42-0010
							SIZE: B

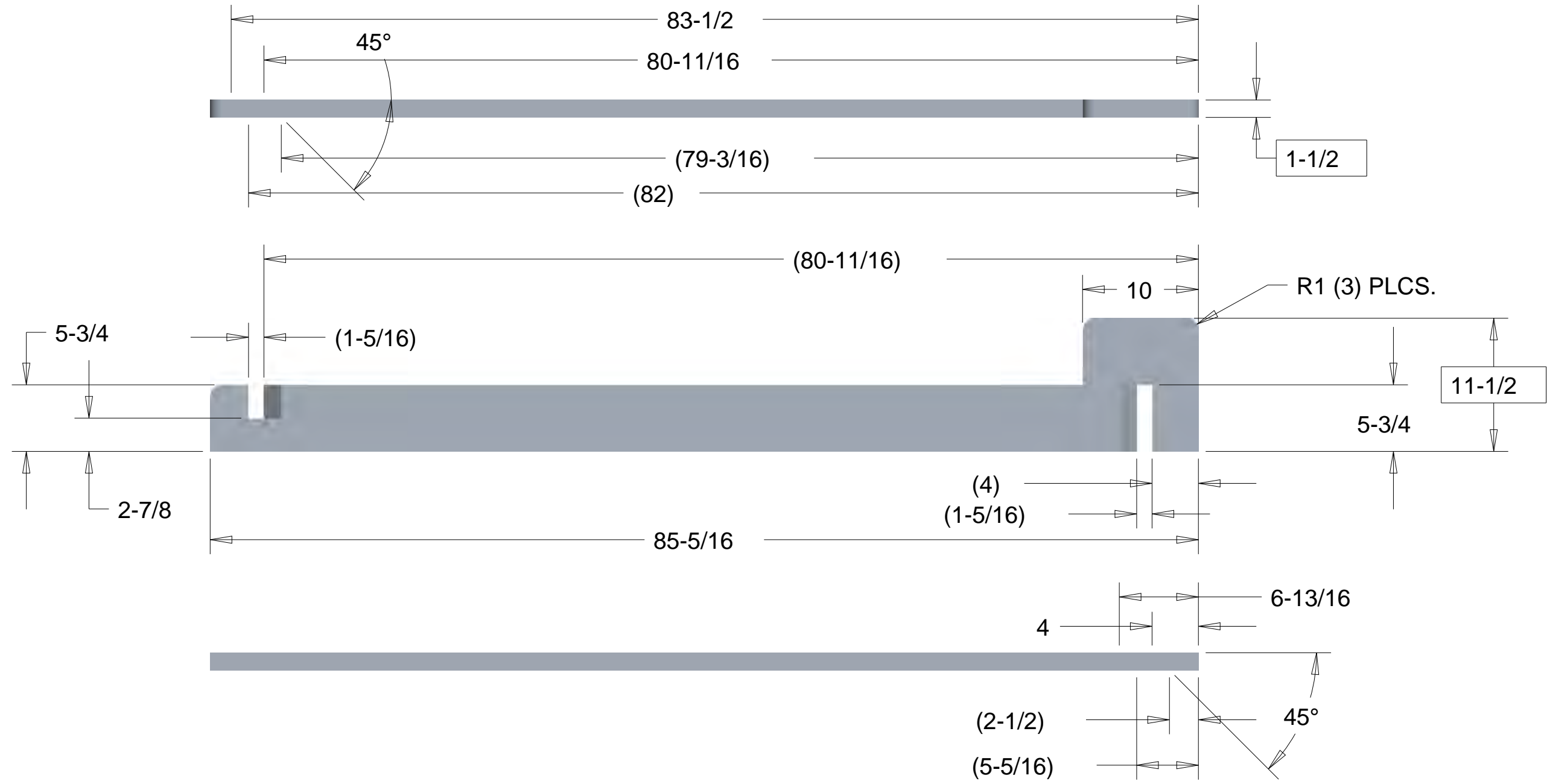
ITEM	PART NO.	DWG	DESCRIPTION	QTY
1	42-0011	B	BOARD_D	1
2	42-0041	B	REINFORCEMENT_PLATE_D	1
3	42-0049	B	REINFORCEMENT_PLATE_D-2	1
4	42-0050	B	REINFORCEMENT_PLATE_D-3	1
5	42-0051	B	REINFORCEMENT_PLATE_D-4	1
6			1-1/2" DRY WALL SCREW	30



PART NO: 42-0046
EST WT: 789.243 LBS

SCALE 0.188

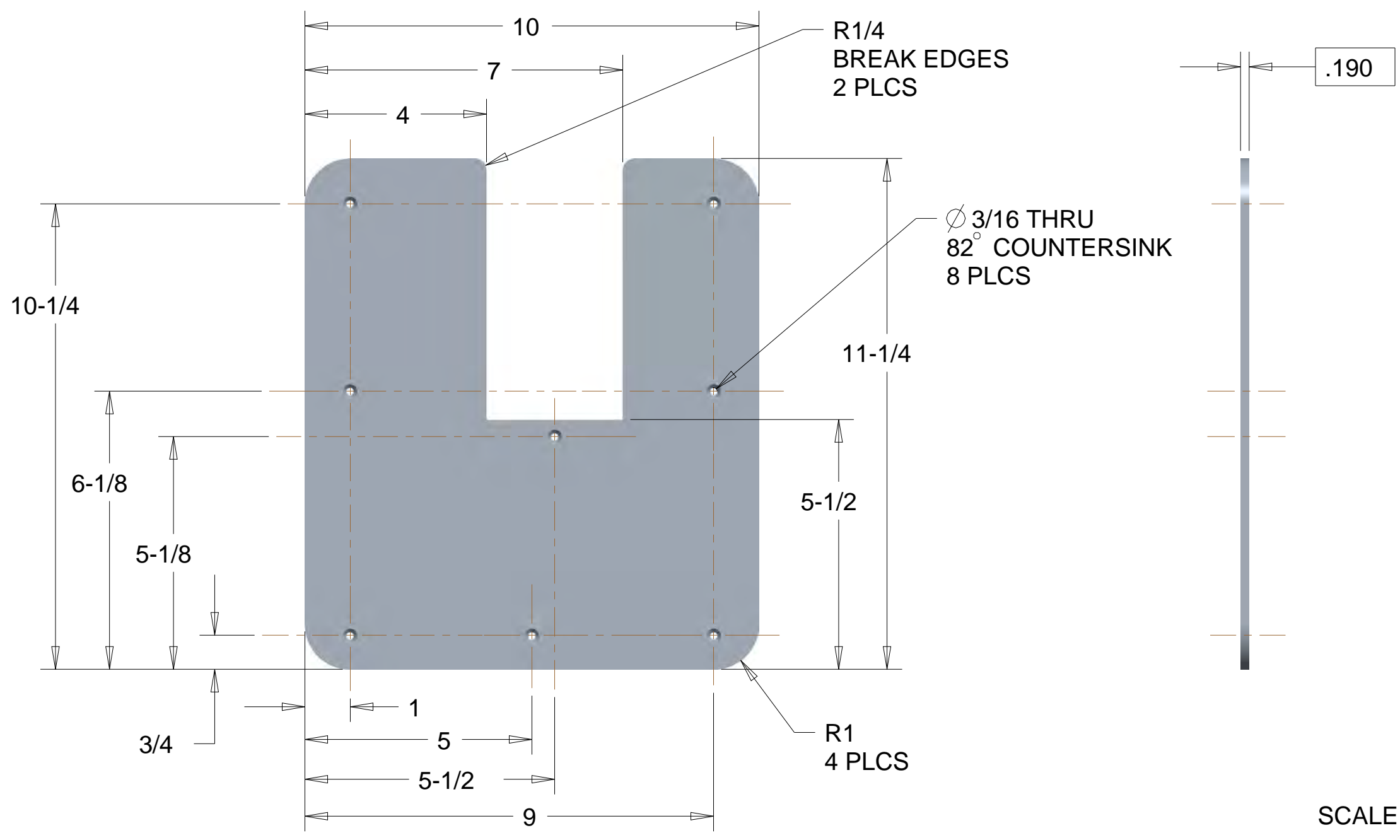
STD. TOL.					DRAWN: MTF	
FRACTIONAL: 0 TO 6 IN + - 1/32 6 IN AND UP + - 1/16					DESIGNED: MTF	
ANGULAR: + - 1 DEG.	A.2				APPROVED:	
DECIMAL: 1 PLACE + - 0.05 2 PLACE + - 0.01 3 PLACE + - 0.005	NO.	BY	DATE	REVISION	DATE: 06-Sep-2018 SCALE:	
PROJECT NO.:	TITLE: BOARD_D_PLUS_PLTS				DWG. NO.: 42-0046	SIZE: C



MATERIAL: PRESSURE TREATED PINE 2 X 12

STD. TOL.								DRAWN: DCM		
FRACTIONAL: 0 TO 6 IN + - 1/32 6 IN AND UP + - 1/16								DESIGNED: DCM		
ANGULAR: + - 1 DEG.	A.3							APPROVED:		
DECIMAL: 1 PLACE + - 0.05 2 PLACE + - 0.01 3 PLACE + - 0.005								DATE: 28-Aug-2018		
PROJECT NO.:	TITLE: BOARD_D							SCALE:	DWG. NO. 42-0011	SIZE: B

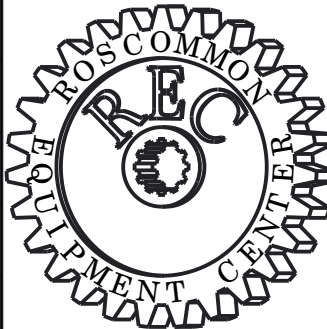
ROSCOMMON EQUIPMENT CENTER
P.O. BOX 68 ROSCOMMON, MICHIGAN 48653

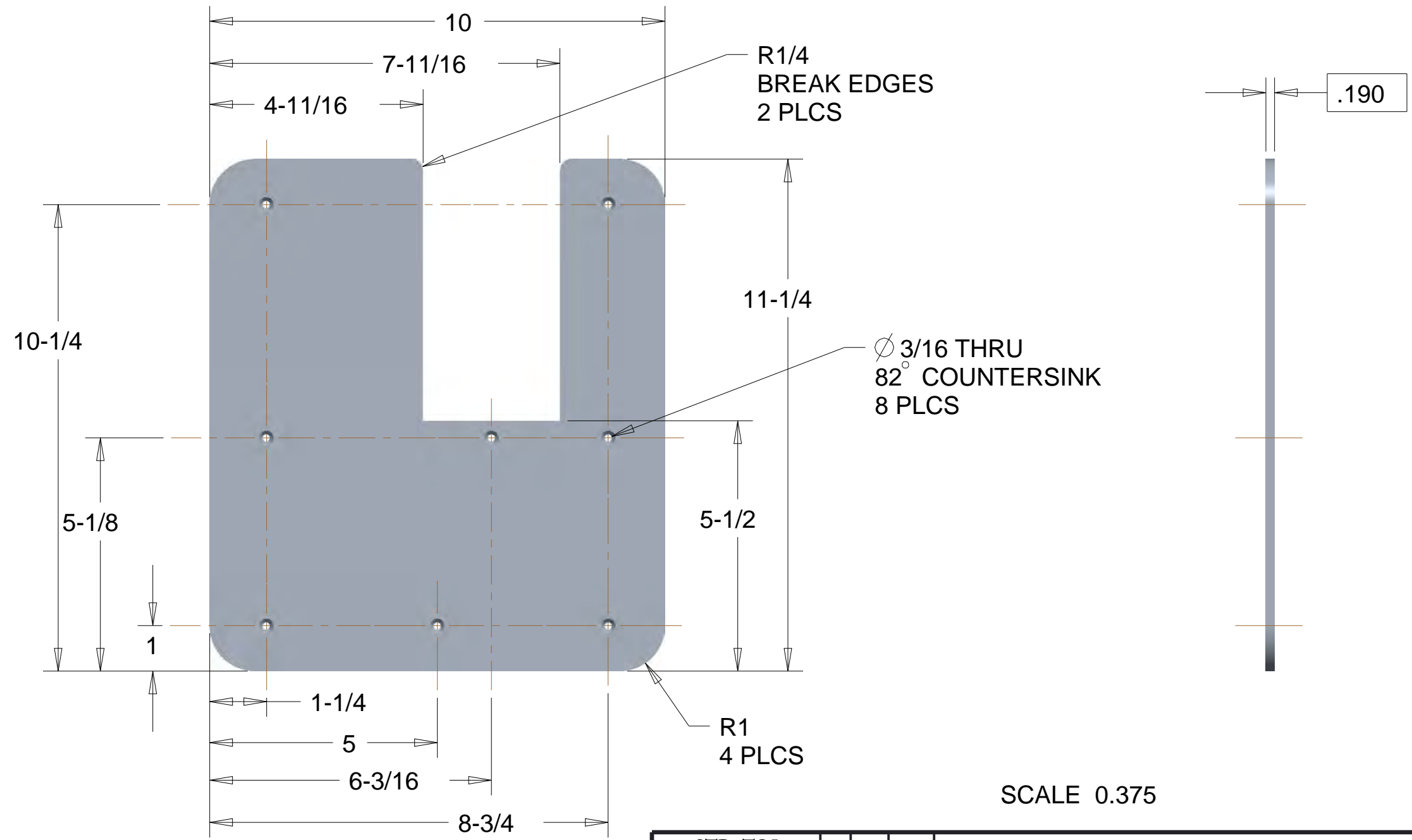


SCALE 0.375

PART NO: 42-0041
MAT'L: SHEET_ALUM - .190 X 4 X 8

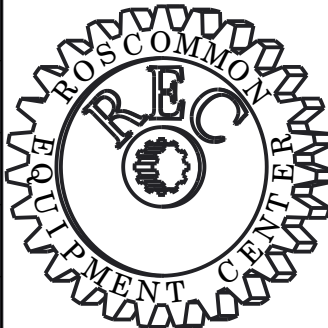
FFES SPEC NO: AA-19048AT
EST WT: 1.770 LBS

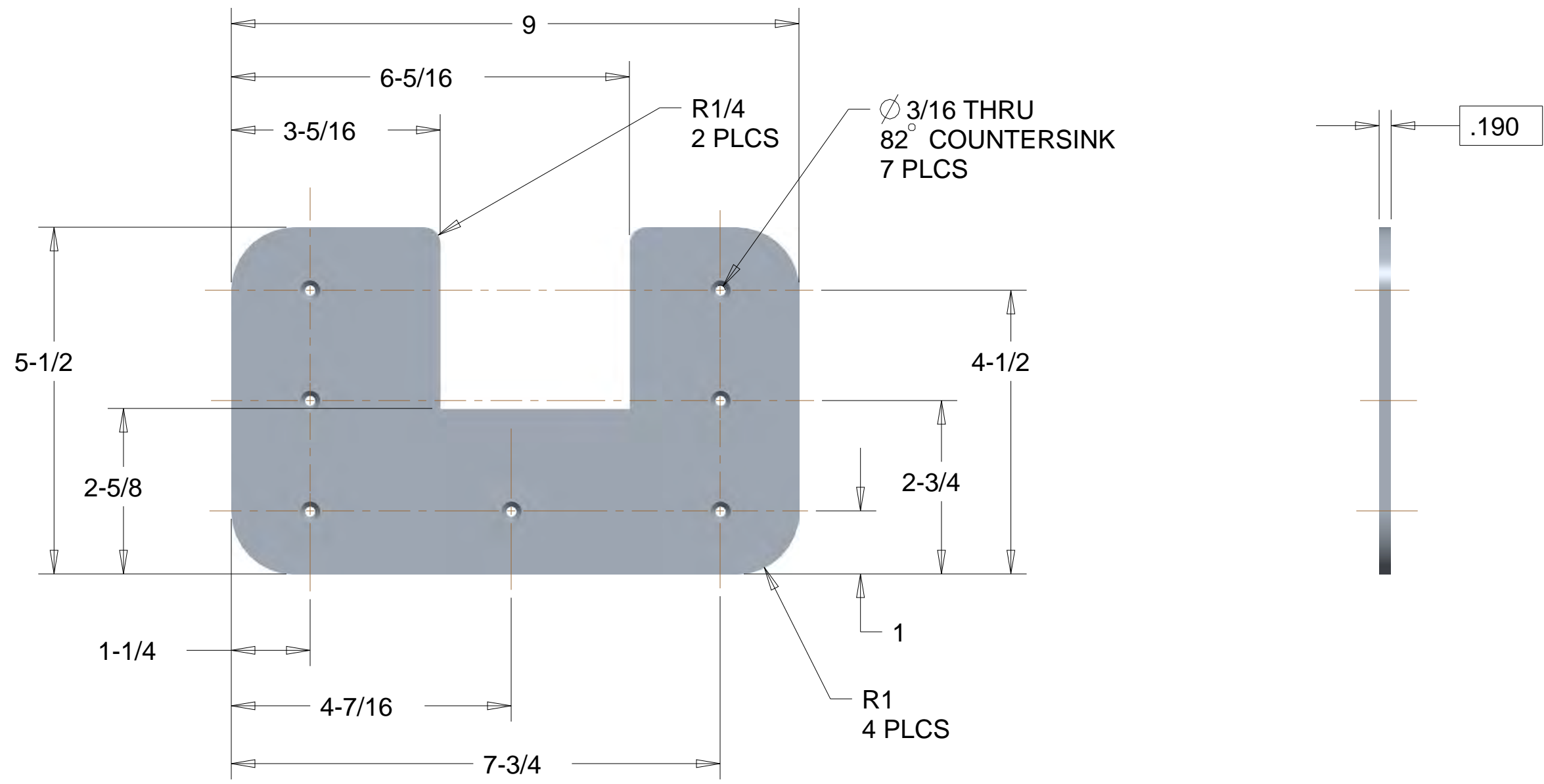
STD. TOL.						DRAWN: MTF			
FRACTIONAL: 0 TO 6 IN + - 1/32 6 IN AND UP + - 1/16						DESIGNED: MTF			
ANGULAR: + - 1 DEG.	A.1					APPROVED:			
DECIMAL: 1 PLACE + - 0.05 2 PLACE + - 0.01 3 PLACE + - 0.005	NO.	BY	DATE	REVISION		DATE: 05-Sep-2018			
PROJECT NO.:	TITLE: REINFORCEMENT_PLATE_D					SCALE:		DWG. NO. 42-0041	SIZE: B
<p align="center">ROSCOMMON EQUIPMENT CENTER P.O. BOX 68 ROSCOMMON, MICHIGAN 48653</p>									



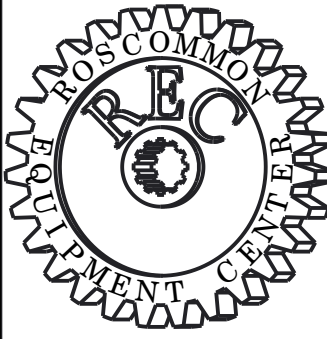
SCALE 0.375

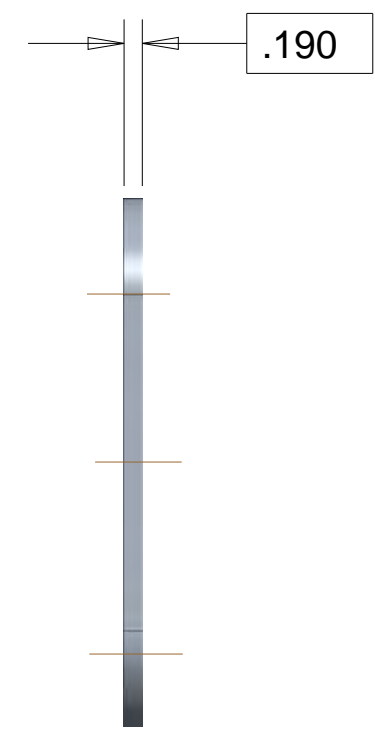
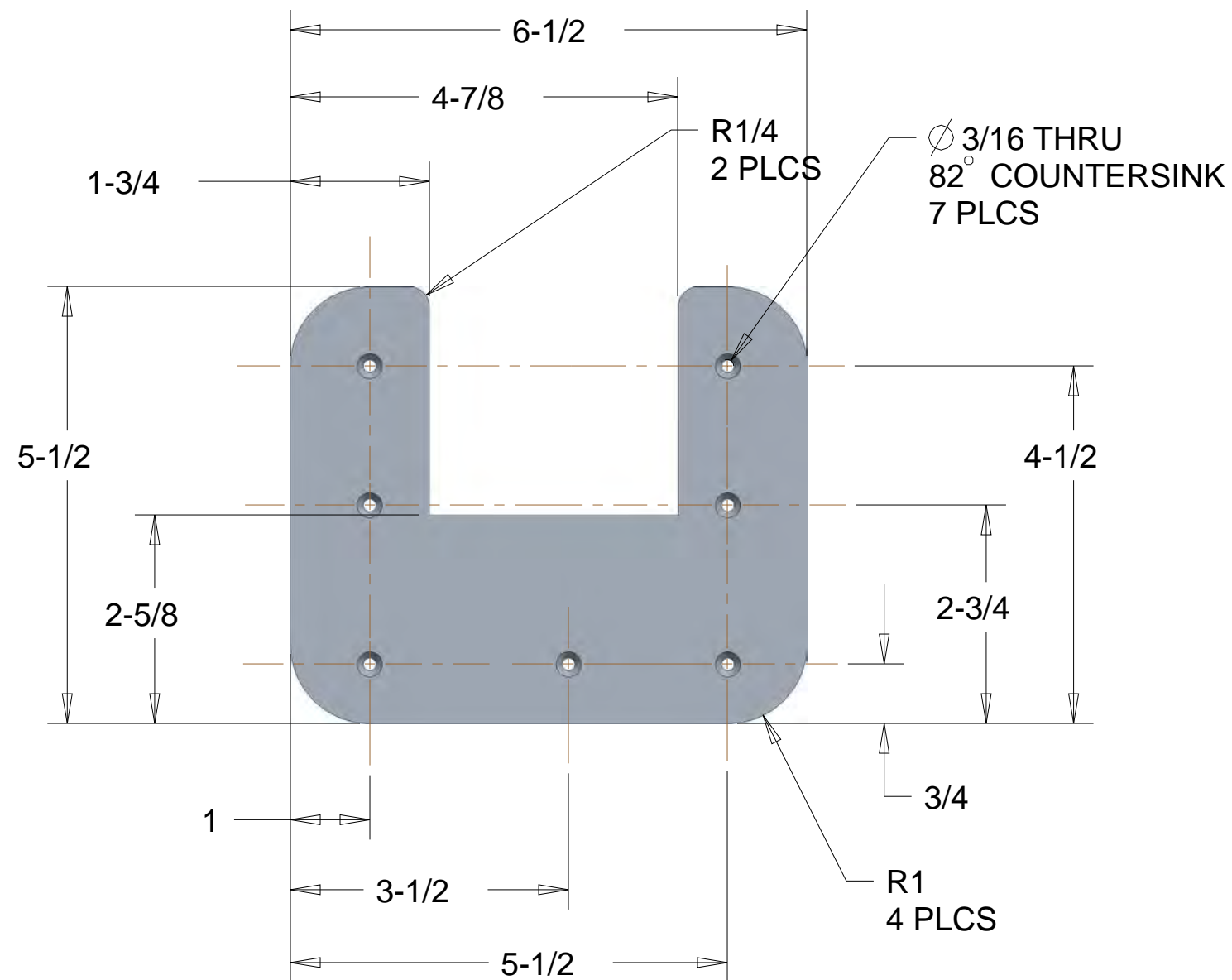
PART NO: 42-0049
 MAT'L: SHEET_ALUM - .190 X 4 X 8
 FFES SPEC NO: AA-19048AT
 EST WT: 1.770 LBS

STD. TOL.								DRAWN: MTF		
FRACTIONAL: 0 TO 6 IN + - 1/32 6 IN AND UP + - 1/16								DESIGNED: MTF		
ANGULAR: + - 1 DEG.	A.1							APPROVED:		
DECIMAL: 1 PLACE + - 0.05 2 PLACE + - 0.01 3 PLACE + - 0.005	NO.	BY	DATE	REVISION				DATE: 05-Sep-2018		
PROJECT NO.:	TITLE: REINFORCEMENT_PLATE_D-2						SCALE:		DWG. NO. 42-0049	SIZE: B
ROSCOMMON EQUIPMENT CENTER P.O. BOX 68 ROSCOMMON, MICHIGAN 48653										



PART NO: 42-0050
 MAT'L: SHEET_ALUM - .190 X 4 X 8
 FFES SPEC NO: AA-19048AT
 EST WT: 0.748 LBS

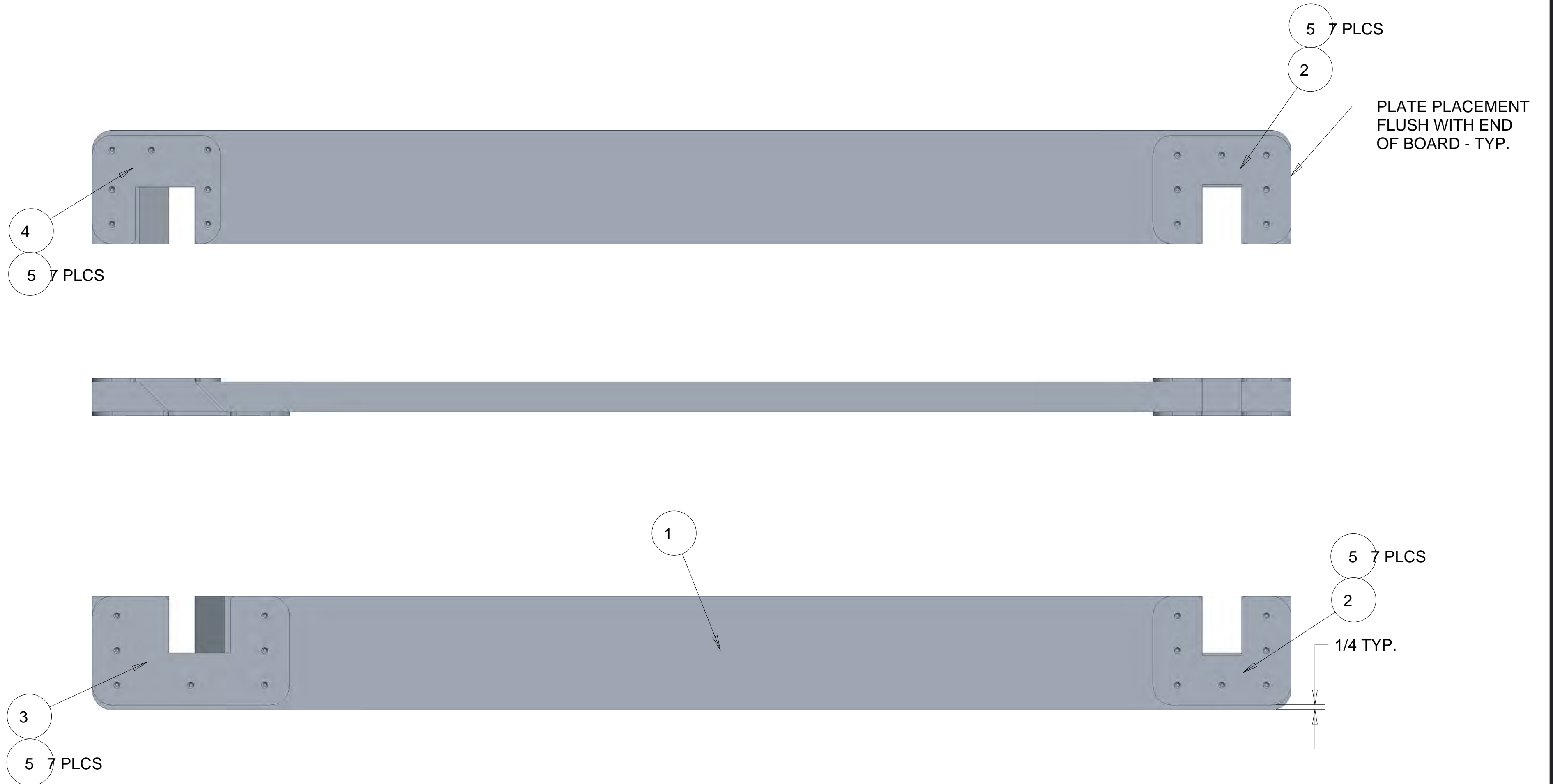
STD. TOL.						DRAWN: MTF		
FRACTIONAL: 0 TO 6 IN + - 1/32 6 IN AND UP + - 1/16						DESIGNED: MTF		
ANGULAR: + - 1 DEG.	A.2					APPROVED:		
DECIMAL: 1 PLACE + - 0.05 2 PLACE + - 0.01 3 PLACE + - 0.005	No.	BY	DATE	REVISION		DATE: 04-Sep-2018		
PROJECT NO.:	TITLE: REINFORCEMENT_PLATE_D-3					SCALE:	DWG. NO.: 42-0050	SIZE: B
ROSCOMMON EQUIPMENT CENTER P.O. BOX 68 ROSCOMMON, MICHIGAN 48653								



PART NO: 42-0051
 MAT'L: SHEET_ALUM - .190 X 4 X 8
 FFES SPEC NO: AA-19048AT
 EST WT: 0.483 LBS

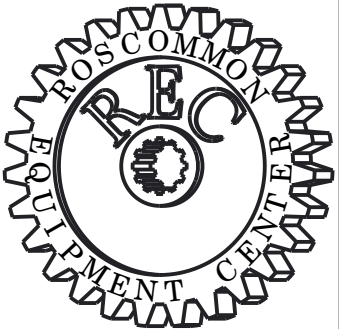
STD. TOL.								DRAWN: MTF		
FRACTIONAL: 0 TO 6 IN + - 1/32 6 IN AND UP + - 1/16								DESIGNED: MTF		
ANGULAR: + - 1 DEG.	A.2							APPROVED:		
DECIMAL: 1 PLACE + - 0.05 2 PLACE + - 0.01 3 PLACE + - 0.005	No.	BY	DATE	REVISION				DATE: 04-Sep-2018		
PROJECT NO.:	TITLE: REINFORCEMENT_PLATE_D-4							SCALE:	DWG. NO. 42-0051	SIZE: B
ROSCOMMON EQUIPMENT CENTER P.O. BOX 68 ROSCOMMON, MICHIGAN 48653										

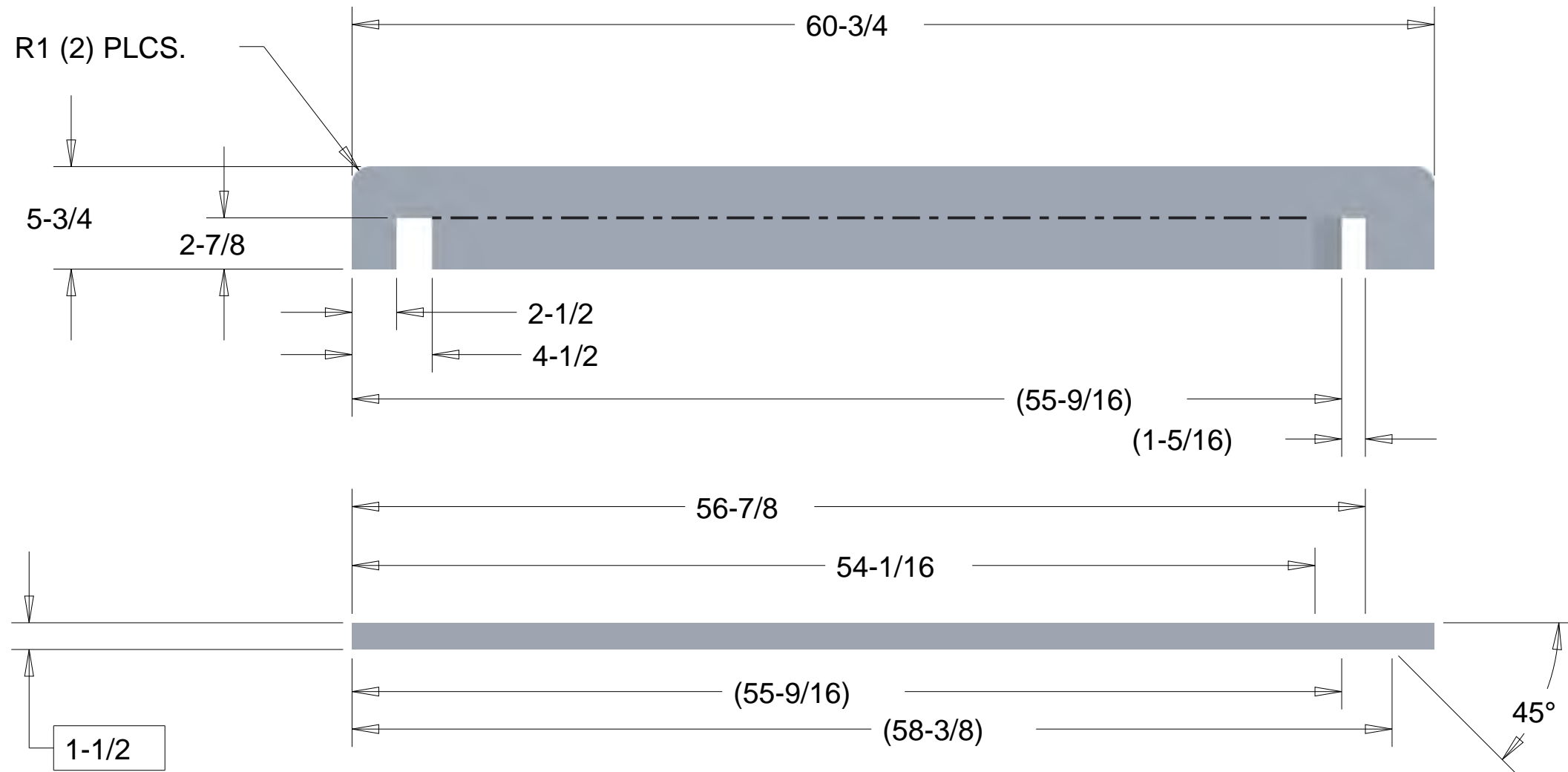
ITEM	PART NO.	DWG	DESCRIPTION	QTY
1	42-0012	B	BOARD_E	1
2	42-0017	B	REINFORCEMENT_PLATE_B	2
3	42-0052	B	REINFORCEMENT_PLATE_E	1
4	42-0053	B	REINFORCEMENT_PLATE_E-2	1
5			1-1/2" DRY WALL SCREW	28



PART NO: 42-0047
EST WT: 505.206 LBS

SCALE 0.250

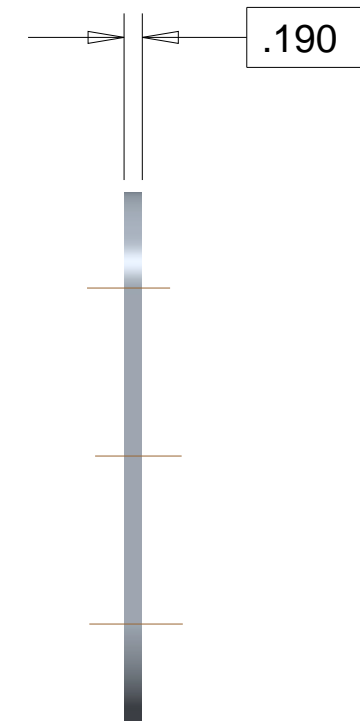
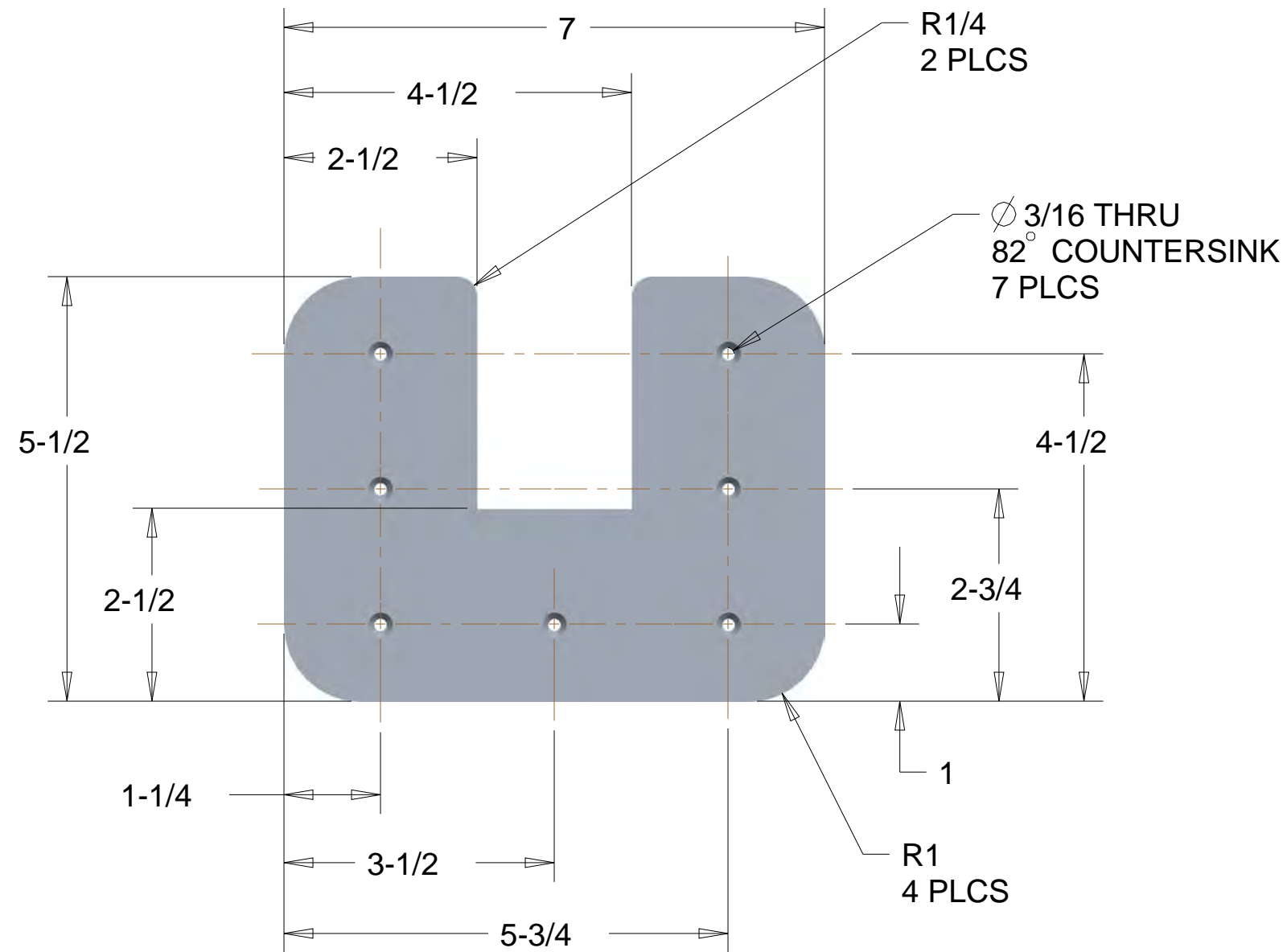
STD. TOL.					DRAWN: MTF	
FRACTIONAL: 0 TO 6 IN + - 1/32 6 IN AND UP + - 1/16					DESIGNED: MTF	
ANGULAR: + - 1 DEG.	A.2				APPROVED:	
DECIMAL: 1 PLACE + - 0.05 2 PLACE + - 0.01 3 PLACE + - 0.005	No.	BY	DATE	REVISION	DATE: 06-Sep-2018 SCALE:	
PROJECT NO.:	TITLE: BOARD_E_PLUS_PLTS				DWG. NO.: 42-0047	SIZE: C



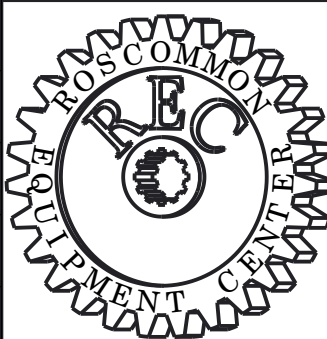
MATERIAL: "MAKE FROM DROP FROM MAUNUFACTURING
42-0011

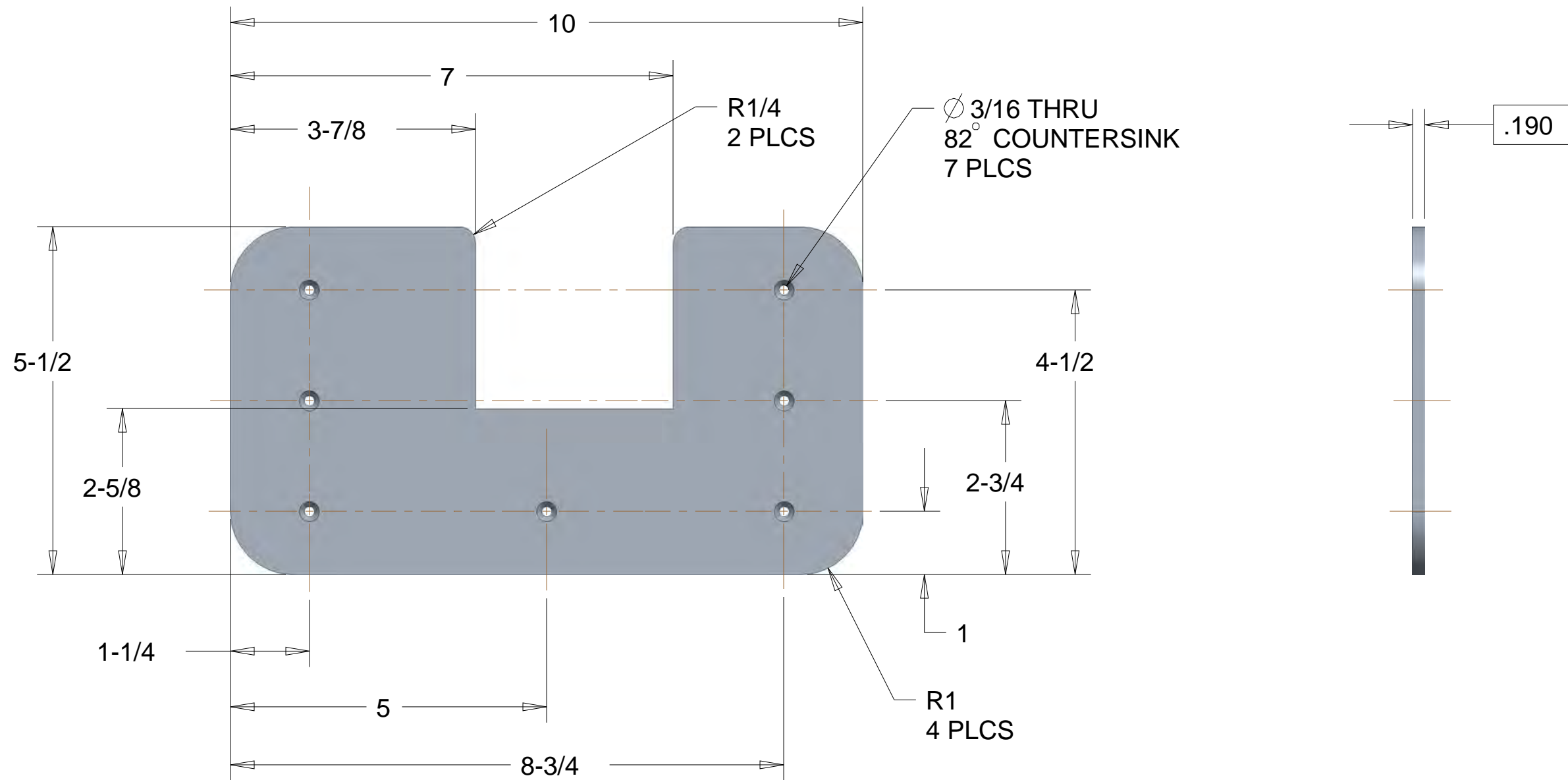
STD. TOL.								DRAWN: DCM	
FRACTIONAL: 0 TO 6 IN + - 1/32 6 IN AND UP + - 1/16								DESIGNED: DCM	
ANGULAR: + - 1 DEG.	A.2							APPROVED:	
DECIMAL: 1 PLACE + - 0.05 2 PLACE + - 0.01 3 PLACE + - 0.005	No.	BY	DATE	REVISION				DATE: 28-Aug-2018	
PROJECT NO.:	TITLE: BOARD_E							SCALE:	
									SIZE: B

ROSCOMMON EQUIPMENT CENTER
P.O. BOX 68 ROSCOMMON, MICHIGAN 48653

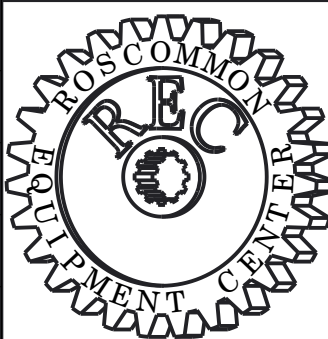


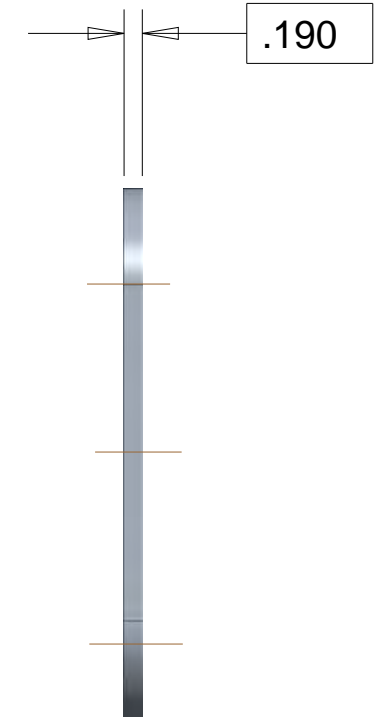
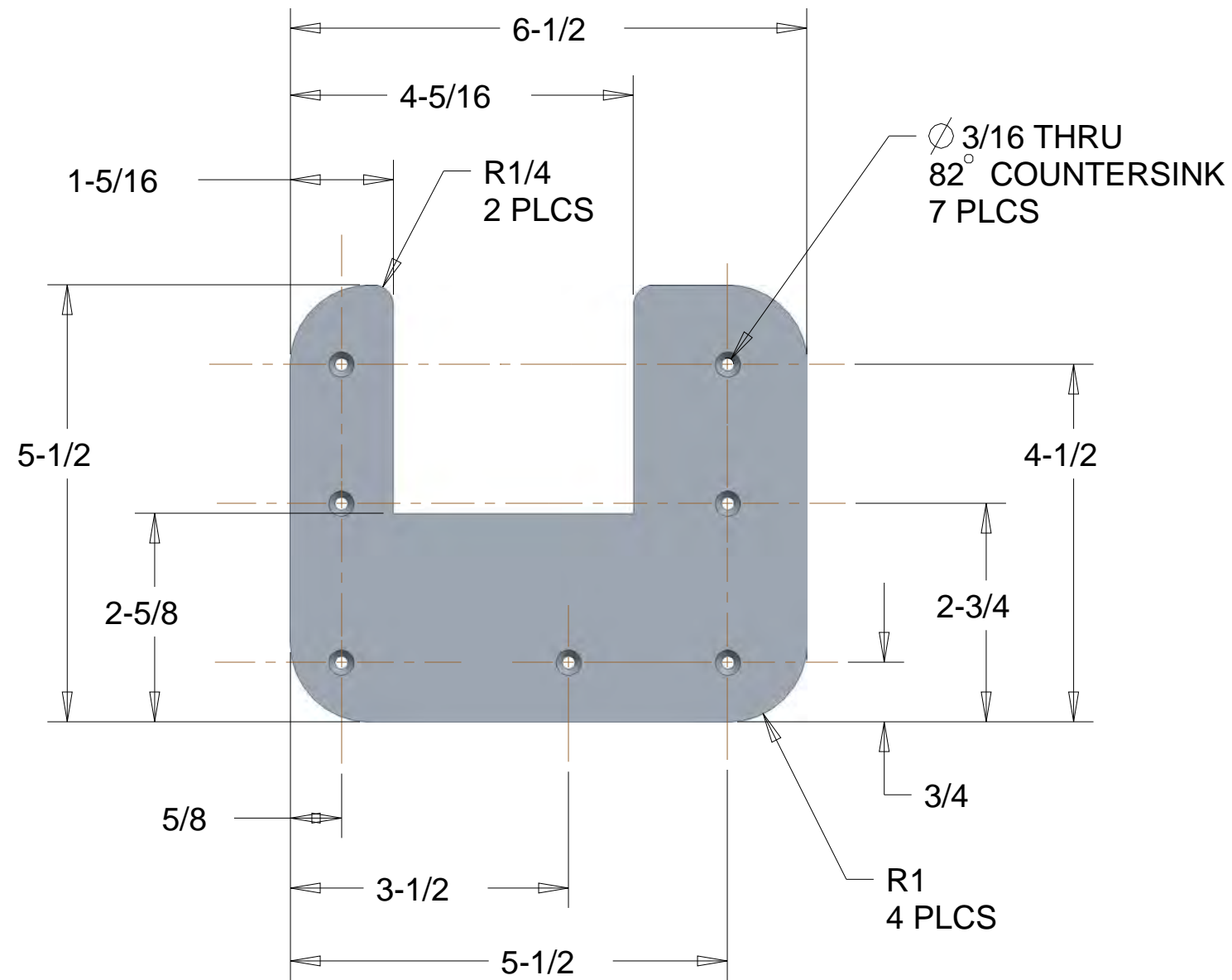
PART NO: 42-0017
 MAT'L: SHEET_ALUM - .190 X 4 X 8
 FFES SPEC NO: AA-19048AT
 EST WT: 0.590 LBS

STD. TOL.						DRAWN: MTF		
FRACTIONAL: 0 TO 6 IN + .1/32 6 IN AND UP + .1/16						DESIGNED: MTF		
ANGULAR: + .1 DEG.	A.1					APPROVED:		
DECIMAL: 1 PLACE + .005 2 PLACE + .001 3 PLACE + .0005	NO.	BY	DATE	REVISION		DATE: 04-Sep-2018		
PROJECT NO.:	TITLE: REINFORCEMENT_PLATE_B					SCALE:	DWG. NO. 42-0017	SIZE: B
ROSCOMMON EQUIPMENT CENTER P.O. BOX 68 ROSCOMMON, MICHIGAN 48653								

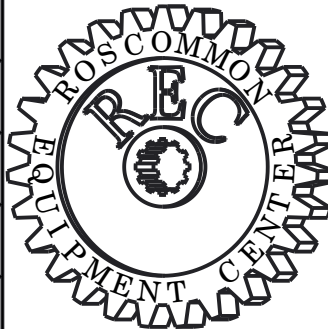


PART NO: 42-0052
 MAT'L: SHEET_ALUM - .190 X 4 X 8
 FFES SPEC NO: AA-19048AT
 EST WT: 0.845 LBS

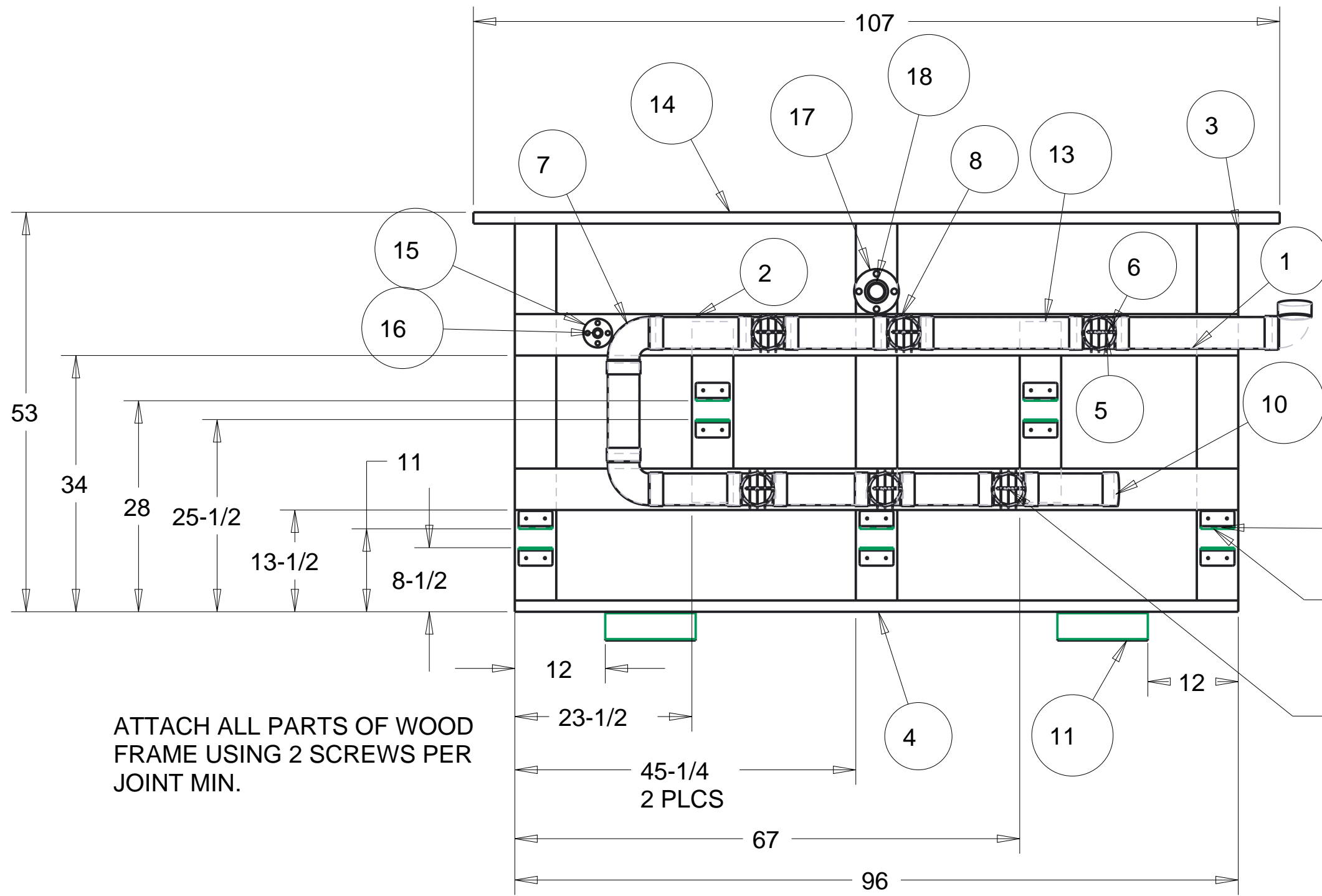
STD. TOL.								DRAWN: MTF		
FRACTIONAL: 0 TO 6 IN + - 1/32 6 IN AND UP + - 1/16								DESIGNED: MTF		
ANGULAR: + - 1 DEG.	A.1							APPROVED:		
DECIMAL: 1 PLACE + - 0.05 2 PLACE + - 0.01 3 PLACE + - 0.005	No.	BY	DATE	REVISION				DATE: 04-Sep-2018		
PROJECT NO.:	TITLE: REINFORCEMENT_PLATE_E							SCALE:	DWG. NO. 42-0052	SIZE: B
ROSCOMMON EQUIPMENT CENTER P.O. BOX 68 ROSCOMMON, MICHIGAN 48653										



PART NO: 42-0053
 MAT'L: SHEET_ALUM - .190 X 4 X 8
 FFES SPEC NO: AA-19048AT
 EST WT: 0.488 LBS

STD. TOL.								DRAWN: MTF		
FRACTIONAL: 0 TO 6 IN + - 1/32 6 IN AND UP + - 1/16								DESIGNED: MTF		
ANGULAR: + - 1 DEG.	A.1							APPROVED:		
DECIMAL: 1 PLACE + - 0.05 2 PLACE + - 0.01 3 PLACE + - 0.005	No.	BY	DATE	REVISION				DATE: 04-Sep-2018		
PROJECT NO.:	TITLE: REINFORCEMENT_PLATE_E-2							SCALE:	DWG. NO. 42-0053	SIZE: B
ROSCOMMON EQUIPMENT CENTER P.O. BOX 68 ROSCOMMON, MICHIGAN 48653										

Pool Top Frame Assembly

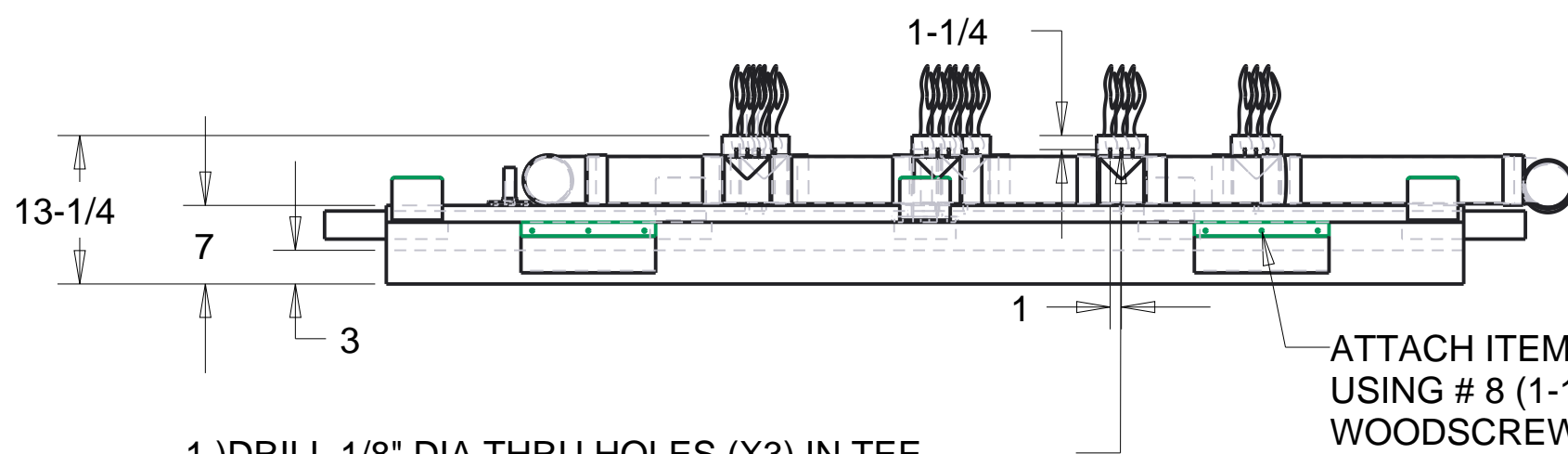
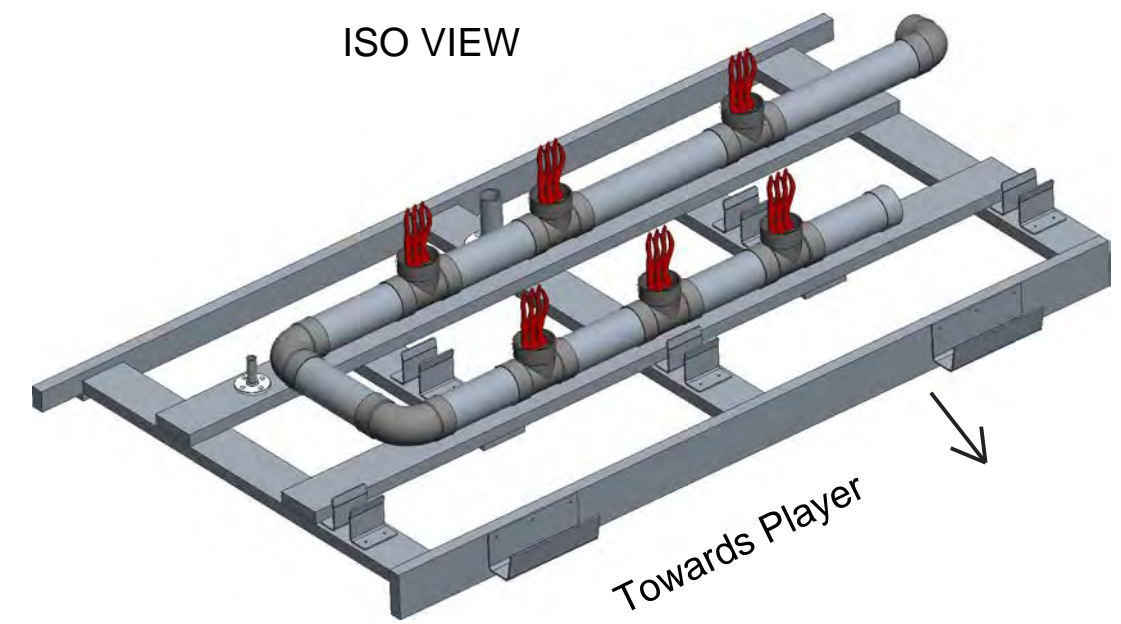


ITEM	PART NO.	DWG	DESCRIPTION	QTY
1	40-0054		PIPE, PVC UNDERND DRAIN 4" (20" long)	2
2	40-0059		PIPE, PVC UNDERGND DRAIN 4" (12" long)	7
3	42-0018	B	POOLBRACE_FRAME_STRINGER	3
4	42-0019	B	POOLBRACE_OVERHANG_TOP	3
5	42-0026		WIRE, BENT (FLAME HOLDER)	18
6	42-0027		KITE MATERIAL, NYLON RIPSTOP	18
7	42-0056		ELBOW, PLASTIC SEWER AND DRAIN (90° LONG)	2
8	42-0057		TEE, PLASTIC SEWER & DRAIN (4")	6
9	42-0058		ELBOW, PVC DRAIN (90° SHORT)	1
10	42-0060		CAP, PLASTIC DRAIN 4"	1
11	42-0061	B	BRACKET_FRONT_GRASS_HOLDER	2
12	42-0062	B	BRACKET_GRASS_HOLDER_SHORT	10
13	42-0063	B	POOLBRACE_TOP_CROSSMEMBER	2
14	42-0064	B	BOARD_POOLBRACE_TOP_BACK	1
15	P12-AAFF		FLANGE, FLOOR, BLK IRON, 3/4" NPT	1
16	P12-CAN24		NIPPLE 3/4 X 3 SCH 40 BLACK	1
17	P32-AAFF		FLANGE, FLOOR, MAL IRON, 2" NPT	1
18	P32-CGN48		NIPPLE 2 X 6 SCH 40 GALV	1

ATTACH ALL PARTS OF WOOD FRAME USING 2 SCREWS PER JOINT MIN.

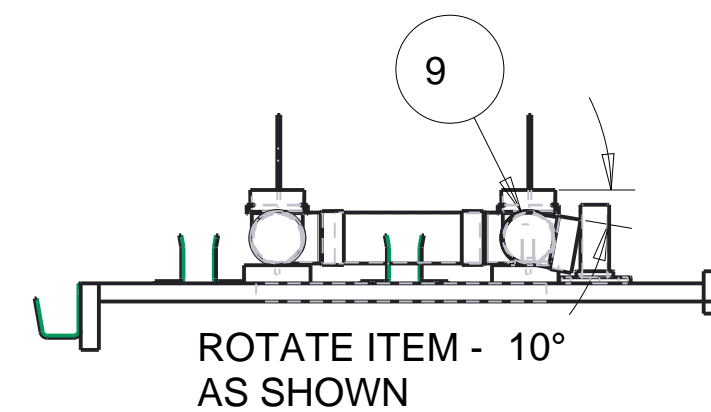
ATTACH ITEM# 10 TO ITEM #11 and #3 USING WOOD SCREWS.

DRILL 3/8" DIA HOLE (VERT.) THRU ITEM #6 AND ATTACH W/WOOD SCREW TO FRAME (6 PLCS).



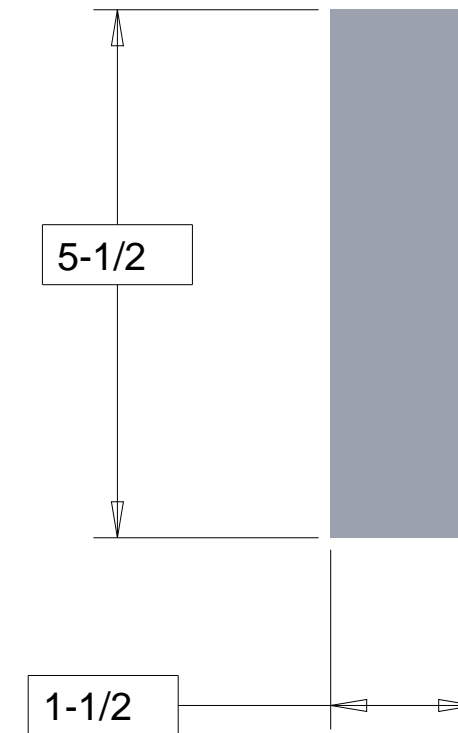
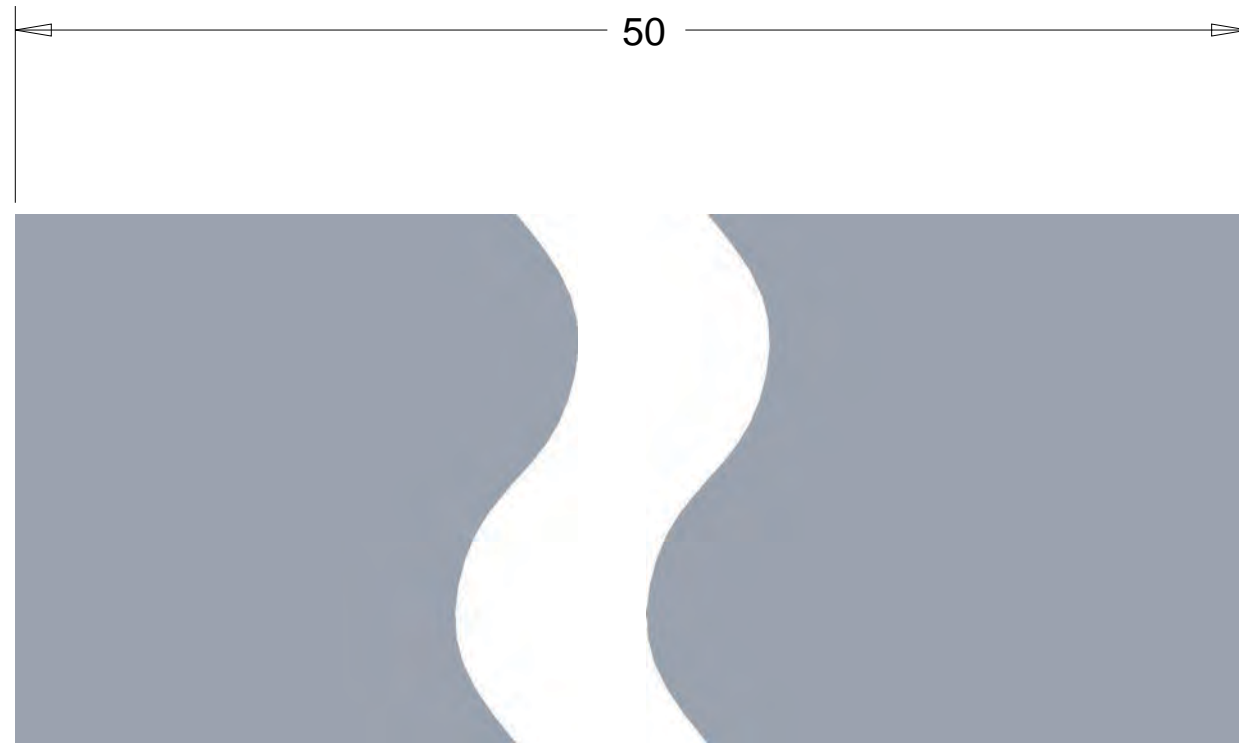
- 1.) DRILL 1/8" DIA THRU HOLES (X3) IN TEE AT 1-1/4" BELOW TOP AND 1" APART.
- 2.) INSERT WIRE AND BEND BOTH ENDS DOWN.
- 3.) TIE FLAME RIBBONS TO EACH WIRE.

ATTACH ITEM #9 TO FRAME USING # 8 (1-1/2" LONG) WOODSCREWS (3 EA)



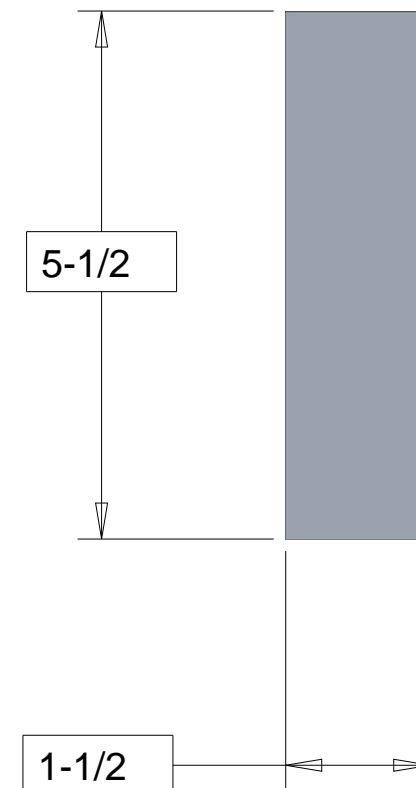
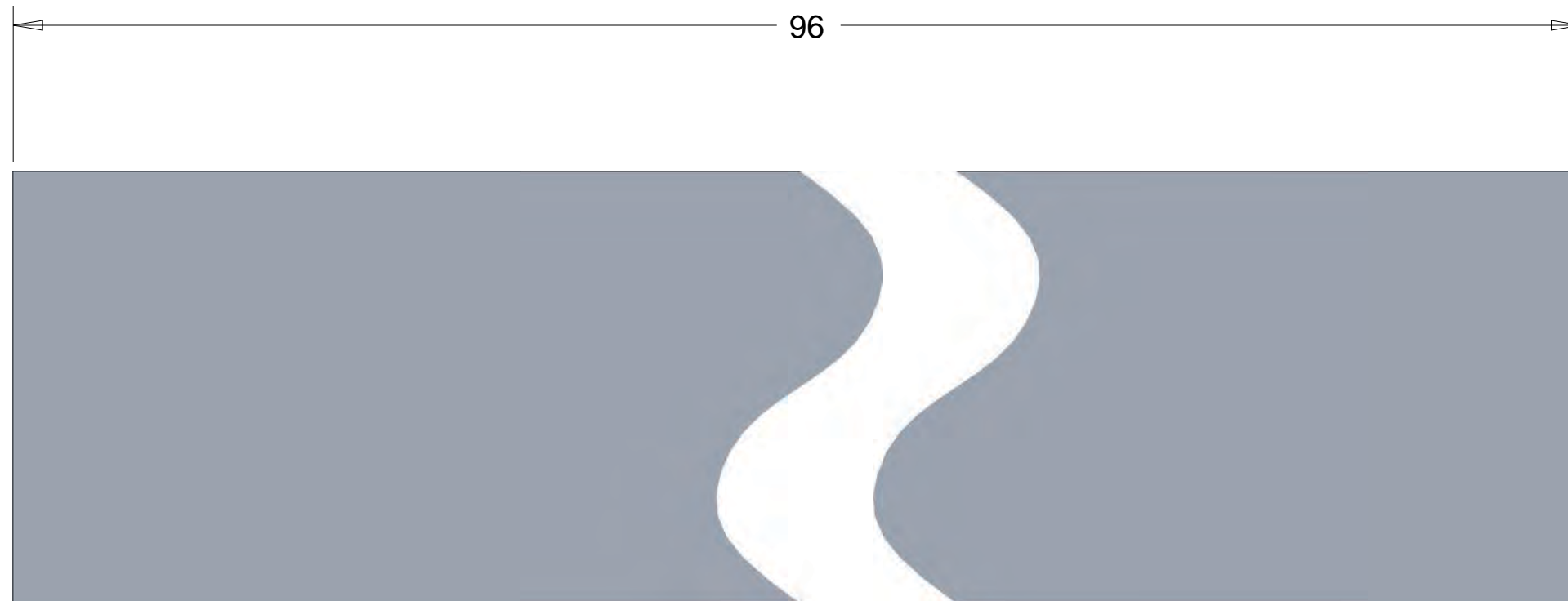
MATERIAL: PRESSURE TREATED LUMBER 2"x6"
PLASTIC UNDERGROUND DRAIN PIPE 4"

STD. TOL.				DRAWN: KAJ
FRACTIONAL:				DESIGNED: DCM
ANGULAR:				APPROVED:
DECIMAL:				DATE: Sep-17-19
PROJECT NO.:	TITLE: POOL_TOP_FRAME_ASM			SCALE:
ROSCOMMON EQUIPMENT CENTER P.O. BOX 68 ROSCOMMON, MICHIGAN 48653				
DWG. NO. 42-0016				SIZE: C



MATERIAL: PRESSURE TREATED PINE 2 X 6

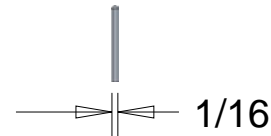
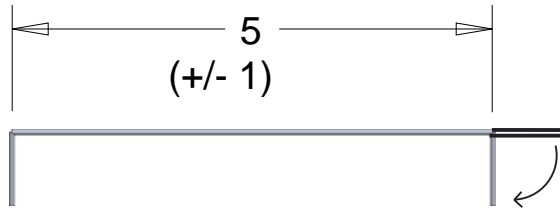
STD. TOL.								DRAWN: DCM	
FRACTIONAL: 0 TO 6 IN + - 1/32 6 IN AND UP + - 1/16								DESIGNED: DCM	
ANGULAR: + - 1 DEG.	A.2							APPROVED:	
DECIMAL: 1 PLACE + - 0.05 2 PLACE + - 0.01 3 PLACE + - 0.005	No.	BY	DATE	REVISION				DATE: 28-Aug-2018	
PROJECT NO.:	ROSCOMMON EQUIPMENT CENTER P.O. BOX 68 ROSCOMMON, MICHIGAN 48653							SCALE:	DWG. NO. 42-0018
TITLE:	POOLBRACE_FRAME_STRINGER								



MATERIAL: PRESSURE TREATED PINE 2 X 6

STD. TOL.								DRAWN: DCM	
FRACTIONAL: 0 TO 6 IN + - 1/32 6 IN AND UP + - 1/16								DESIGNED: DCM	
ANGULAR: + - 1 DEG.	A.2							APPROVED:	
DECIMAL: 1 PLACE + - 0.05 2 PLACE + - 0.01 3 PLACE + - 0.005	NO.	BY	DATE	REVISION				DATE: 28-Aug-2018	
PROJECT NO.:	TITLE: POOLBRACE_OVERHANG_TOP							SCALE:	
									SIZE: B

ROSCOMMON EQUIPMENT CENTER
P.O. BOX 68 ROSCOMMON, MICHIGAN 48653



Note: BEND
DOWN 90 degrees
after Installing

SCALE 0.500

<i>STD. TOL.</i>						<i>DRAWN:</i> KAJ	
<i>FRACTIONAL</i> 0 TO 6 IN + - 1/32 6 IN AND UP + - 1/16						<i>DESIGNED:</i> KAJ	
<i>ANGULAR:</i> + - 1 DEG.						<i>APPROVED:</i>	
<i>DECIMAL:</i> 1 PLACE + - 0.05 2 PLACE + - 0.01 3 PLACE + - 0.005	<i>NO.</i>	<i>BY</i>	<i>DATE</i>	<i>REVISION</i>		<i>DATE:</i> Oct-01-19	
ROSCOMMON EQUIPMENT CENTER P.O. BOX 68 ROSCOMMON, MICHIGAN 48653						<i>SCALE:</i>	
<i>PROJECT NO.:</i>	<i>TITLE:</i> WIRE, BENT (FLAME HOLDER)					<i>DWG. NO.</i> 42-0026	<i>SIZE:</i> A



PART NO: 42-0027
 MAT'L: NYLON, RIP & WATER REPELLENT, PU COATED

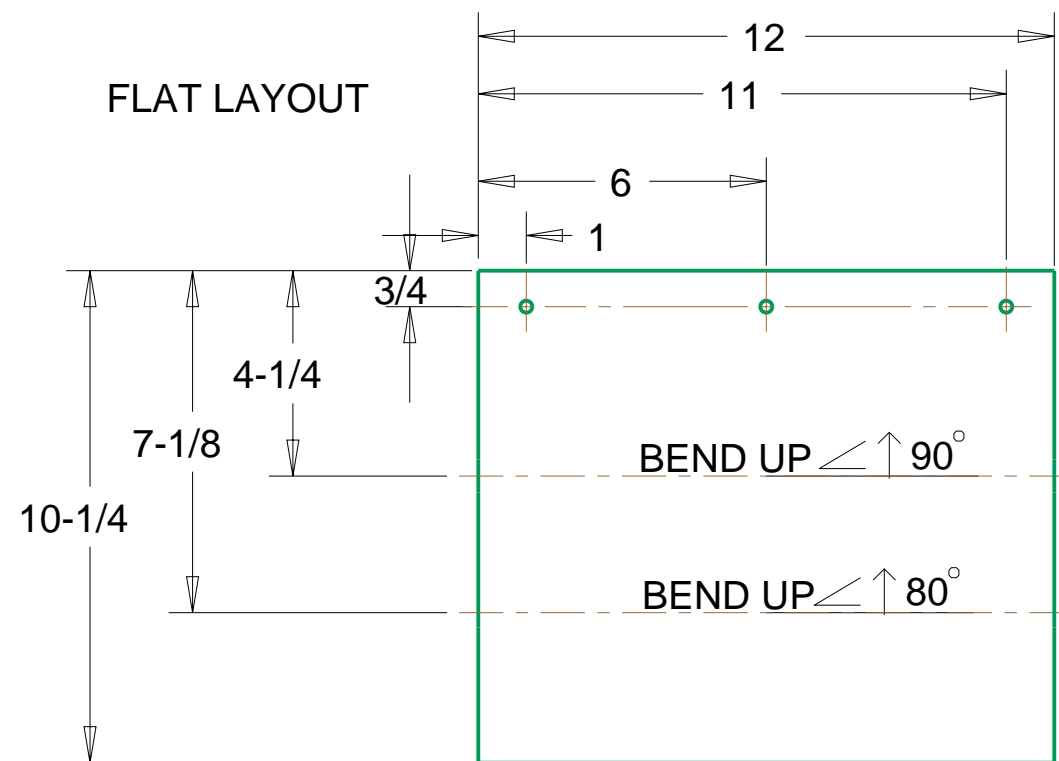
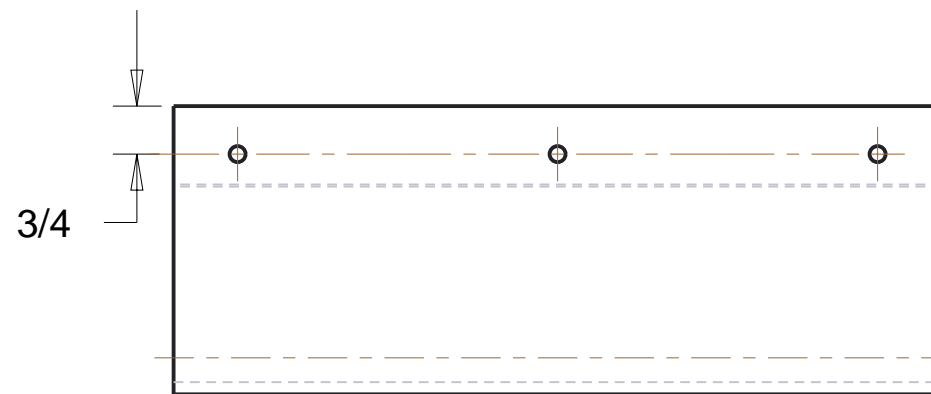
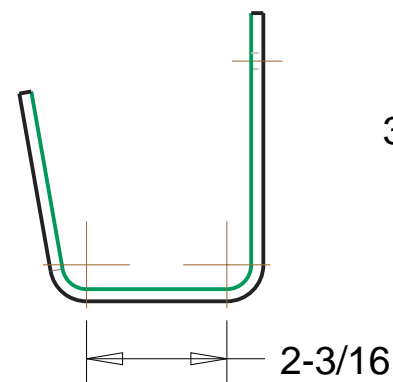
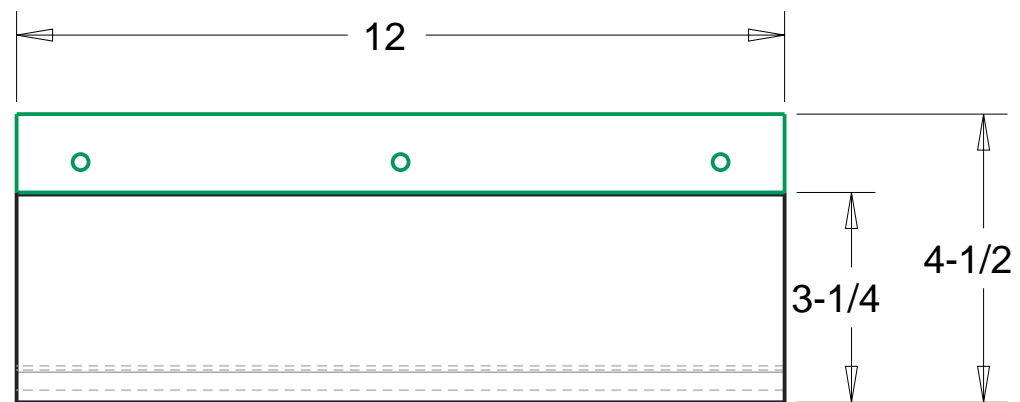
MATERIAL: PURCHASED THRU "EMMAKITES"
 RIPSTOP NYLON FABRIC 60"X108" (3yard) SHEET
 1.63oz(48g)/sq-m WITH PolyUrethane Coating
 COLOR = RED OR FLURO ORANGE

- 1.) MATERIAL SHOULD BE CUT INTO STRIPS
 3/4-1" WIDE BY 14- 20" LONG (VARY LENGTH)
- 2.) THEN TIE 1 OR 2 TO EACH WIRE

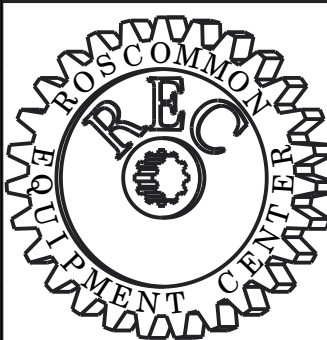
REPRESENTATION
 ONLY

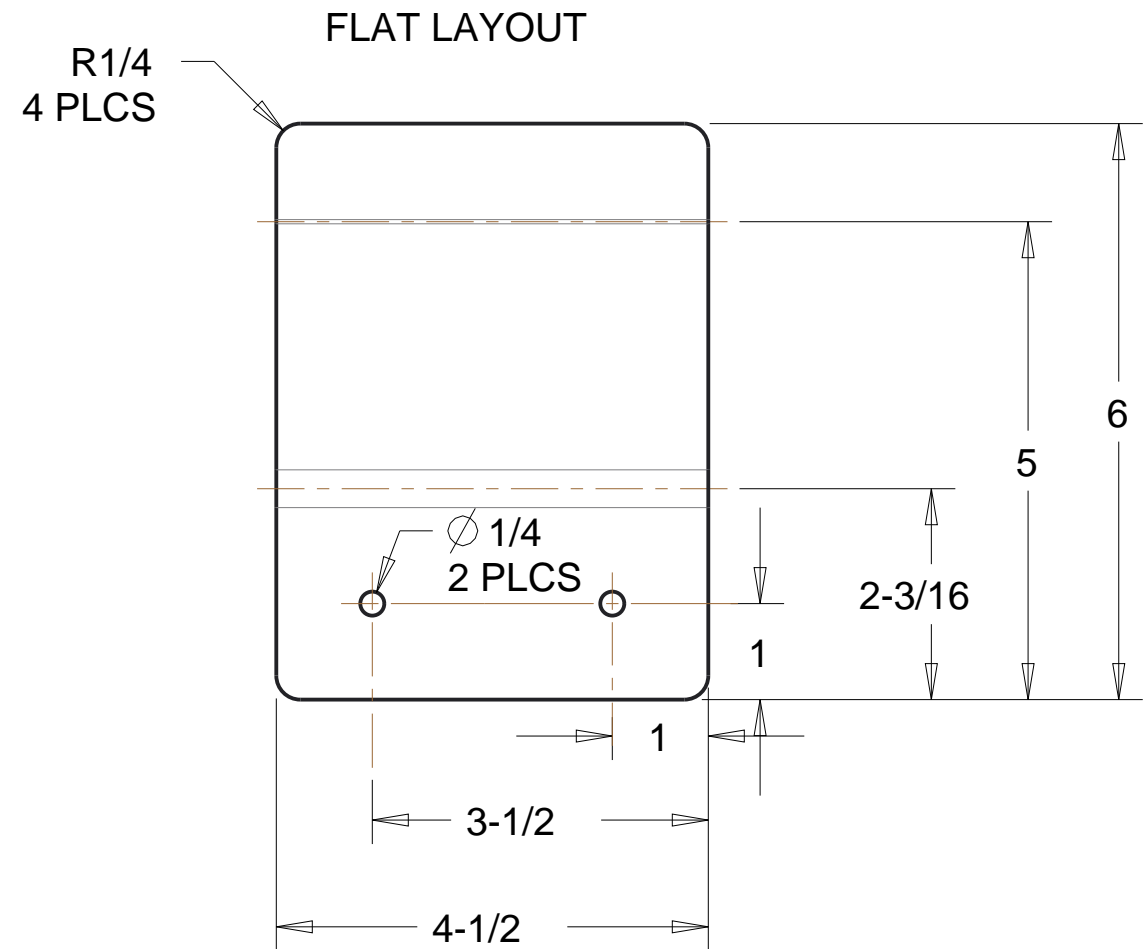
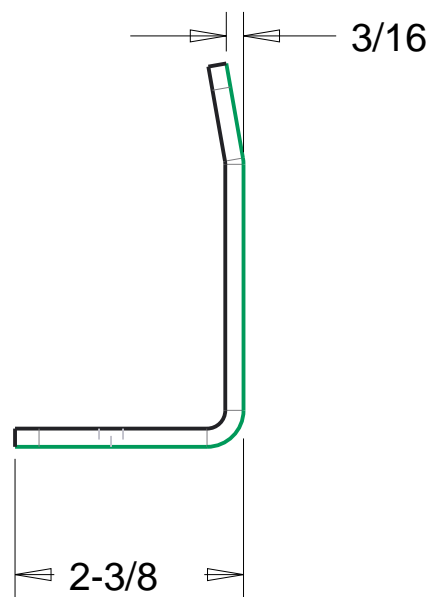
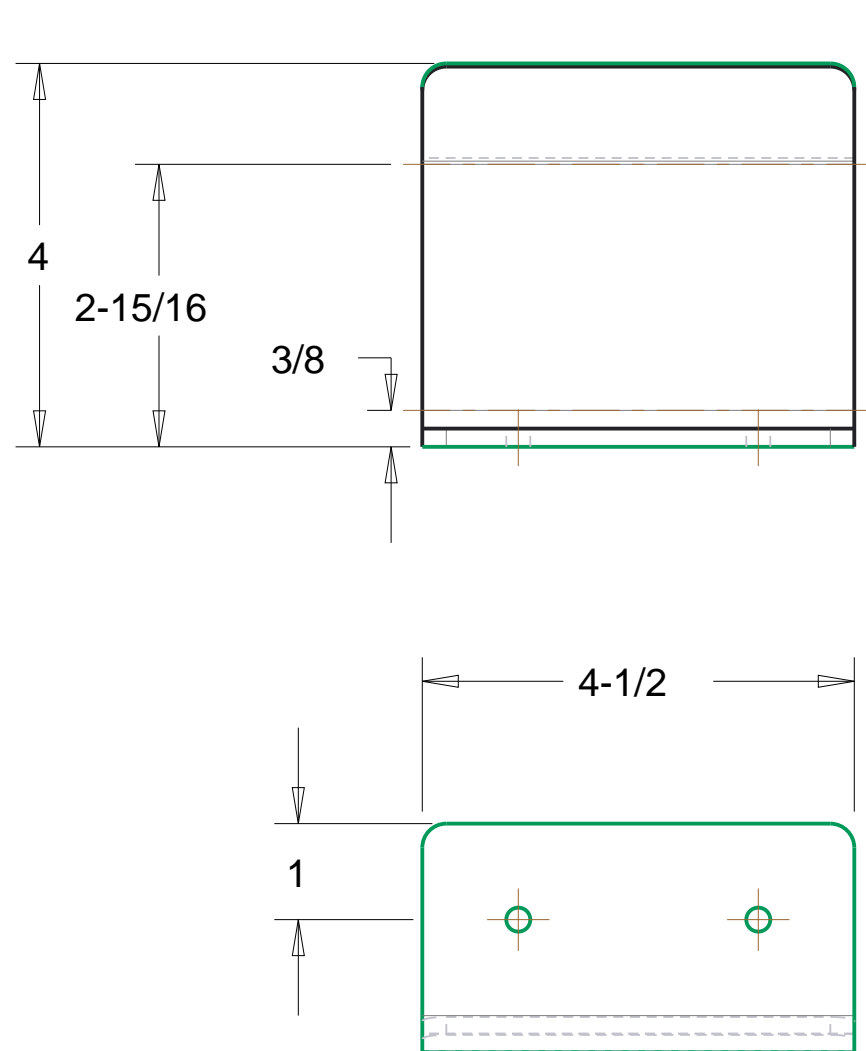
SCALE 0.375

<i>STD. TOL.</i>						<i>DRAWN:</i>	
<i>FRACTIONAL</i> 0 TO 6 IN + - 1/32 6 IN AND UP + - 1/16						<i>DESIGNED:</i> KAJ	
<i>ANGULAR:</i> + - 1 DEG.						<i>APPROVED:</i>	
<i>DECIMAL:</i> 1 PLACE + - 0.05 2 PLACE + - 0.01 3 PLACE + - 0.005	<small>NO.</small>	<small>BY</small>	<small>DATE</small>	<small>REVISION</small>		<i>DATE:</i> Oct-01-19	
	ROSCOMMON EQUIPMENT CENTER P.O. BOX 68 ROSCOMMON, MICHIGAN 48653					<i>SCALE:</i>	
<i>PROJECT NO.:</i> KAJ	<i>TITLE:</i> KITE MATERIAL, NYLON RIPSTOP					<i>DWG. NO.</i> 42-0027	<i>SIZE:</i> A



PART NO: 42-0061
 MAT'L: SHEET_ALUM - .190 X 4 X 8
 FFES SPEC NO: AA-19048AT
 EST WT: 1.241 LBS

STD. TOL.						DRAWN: KAJ		
FRACTIONAL: 0 TO 6 IN + - 1/32 6 IN AND UP + - 1/16						DESIGNED: KAJ		
ANGULAR: + - 1 DEG.	A.1					APPROVED:		
DECIMAL: 1 PLACE + - 0.05 2 PLACE + - 0.01 3 PLACE + - 0.005	No.	BY	DATE	REVISION		DATE: Sep-16-19		
PROJECT NO.:	TITLE: BRACKET_FRONT_GRASS HOLDER					SCALE:	DWG. NO.: 42-0061	SIZE: B
ROSCOMMON EQUIPMENT CENTER P.O. BOX 68 ROSCOMMON, MICHIGAN 48653								



PART NO: 42-0062
 MAT'L: SHEET_ALUM - .190 X 4 X 8

FFES SPEC NO: AA-19048AT
 EST WT: 1.241 LBS

SCALE 0.500

STD. TOL.						DRAWN: KAJ	
FRACTIONAL: 0 TO 6 IN + - 1/32 6 IN AND UP + - 1/16						DESIGNED: KAJ	
ANGULAR: + - 1 DEG.						APPROVED:	
DECIMAL: 1 PLACE + - 0.05 2 PLACE + - 0.01 3 PLACE + - 0.005						DATE: Sep-20-19 SCALE:	
PROJECT NO.:	TITLE: BRACKET_GRASS HOLDER_SHORT					DWG. NO.: 42-0062	SIZE: B

ROSCOMMON EQUIPMENT CENTER
 P.O. BOX 68 ROSCOMMON, MICHIGAN 48653



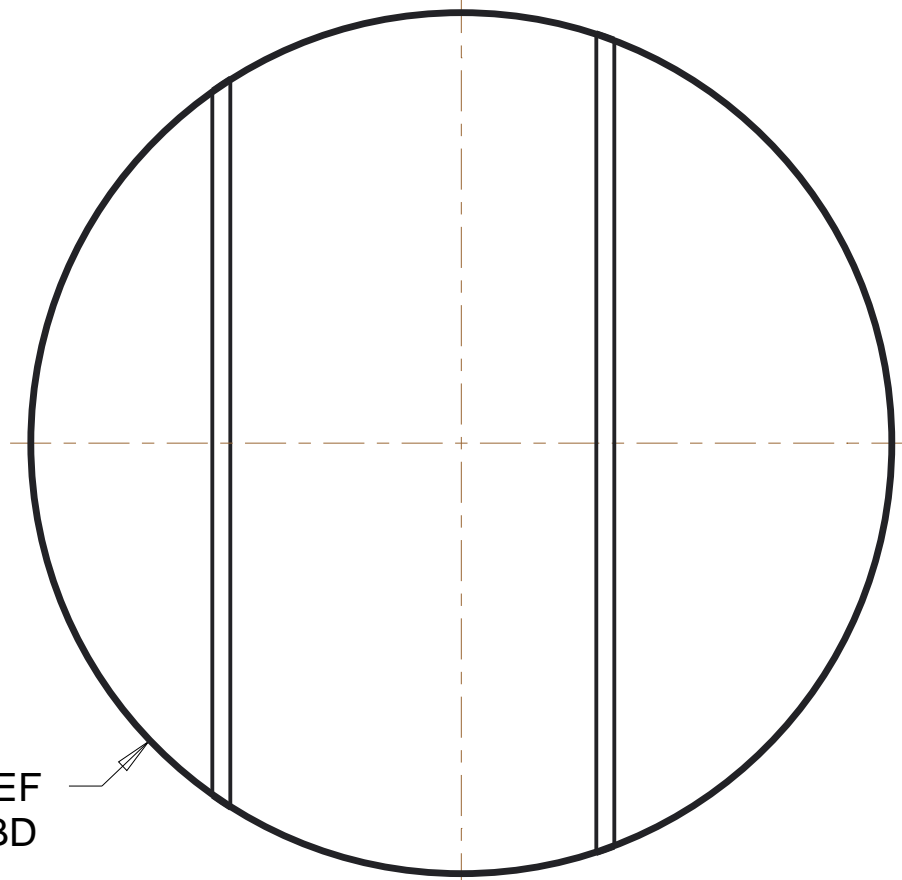
PART NO: 42-0063
 MAT'L: LUMBER, TREATED (2X6)

SCALE 0.250

FFES SPEC NO:
 EST WT: LBS

<i>STD. TOL.</i>						<i>DRAWN:</i> KAJ	
<i>FRACTIONAL</i> 0 TO 6 IN + - 1/32 6 IN AND UP + - 1/16						<i>DESIGNED:</i> KAJ	
<i>ANGULAR:</i> + - 1 DEG.						<i>APPROVED:</i>	
<i>DECIMAL:</i> 1 PLACE + - 0.05 2 PLACE + - 0.01 3 PLACE + - 0.005	<small>NO.</small>	<small>BY</small>	<small>DATE</small>	<small>REVISION</small>		<i>DATE:</i> Sep-24-19	
	ROSCOMMON EQUIPMENT CENTER P.O. BOX 68 ROSCOMMON, MICHIGAN 48653					<i>SCALE:</i>	
<i>PROJECT NO.:</i>	<i>TITLE:</i> POOLBRACE_TOP_CROSSMEMBER					<i>DWG. NO.</i> 42-0063	<i>SIZE:</i> A

Campfire Ring

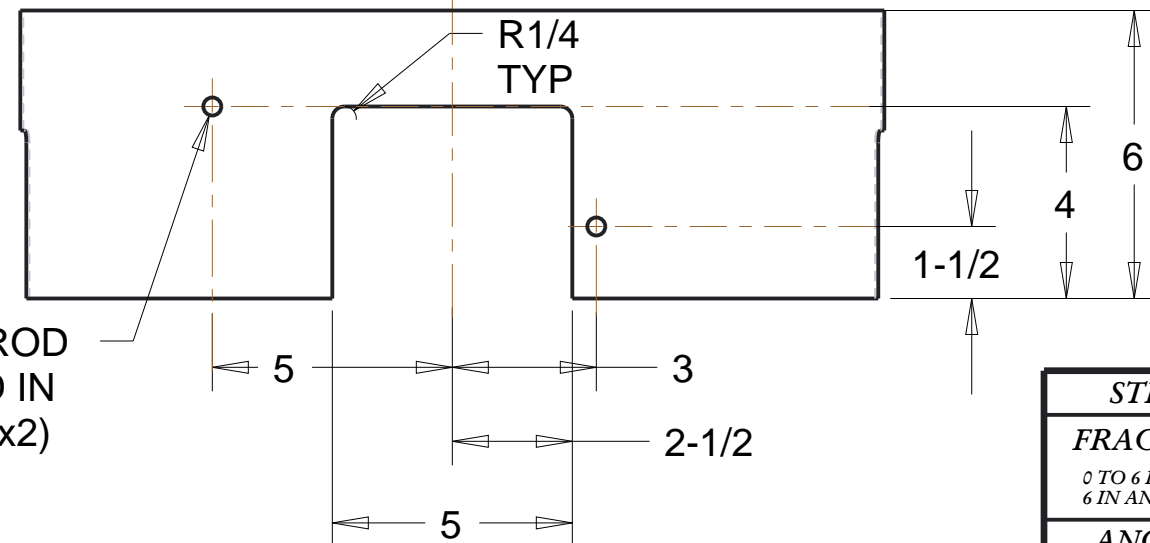


MAKE FROM PURCHASED STEEL FIRE RING
 MODIFY TO ADD FAN HOLDER AND CUTOUTS
 APPROXIMATELY AS SHOWN

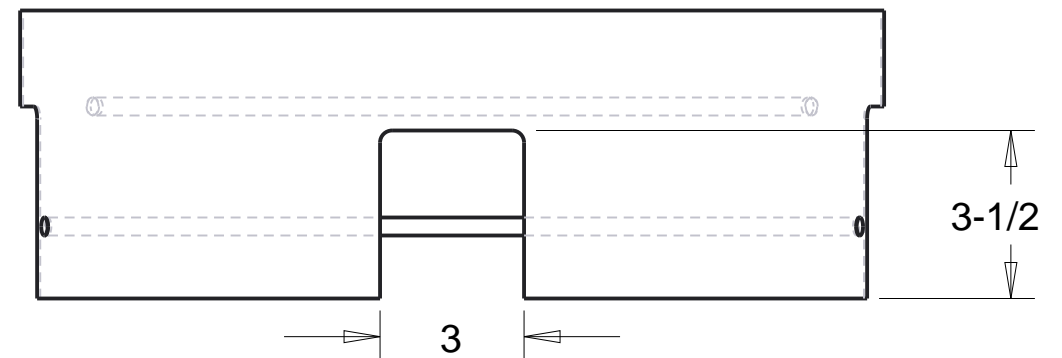
PART NO: 42-0028
 MAT'L:

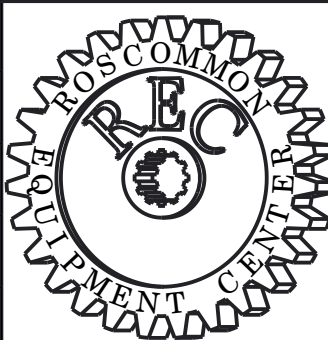
FFES SPEC NO:
 EST WT: LBS

Ø 18 REF
 SIZE TBD



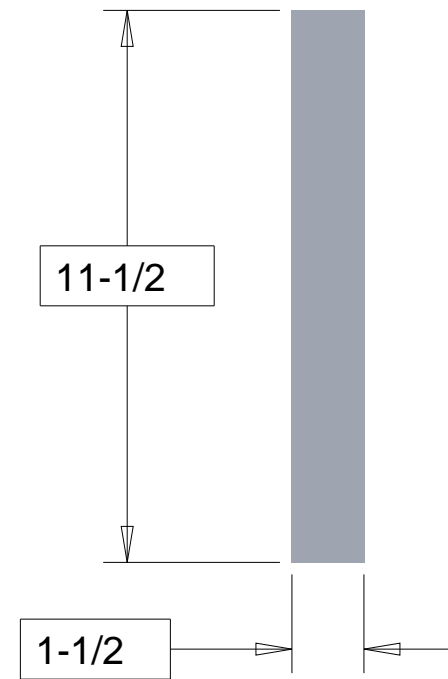
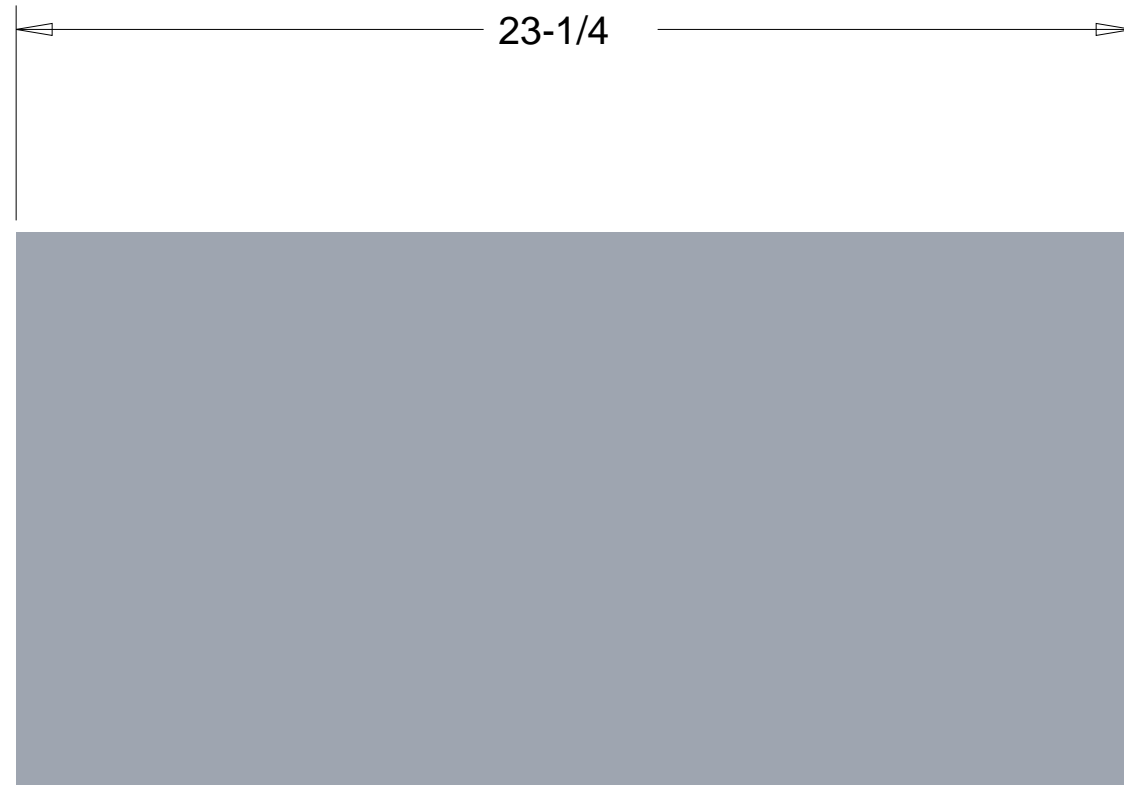
Ø 3/8 ROD
 WELD IN
 PLACE (x2)



STD. TOL.								DRAWN: KAJ	
FRACTIONAL: 0 TO 6 IN + - 1/32 6 IN AND UP + - 1/16								DESIGNED:	
ANGULAR: + - 1 DEG.	A.5							APPROVED:	
DECIMAL: 1 PLACE + - 0.05 2 PLACE + - 0.01 3 PLACE + - 0.005	No.	BY	DATE	REVISION				DATE: Sep-25-19	
PROJECT NO.:	ROSCOMMON EQUIPMENT CENTER P.O. BOX 68 ROSCOMMON, MICHIGAN 48653							SCALE:	DWG. NO. 42-0028 SIZE: B
TITLE:	CAMP FIRE RING, MODIFIED								

SCALE 0.250

Standing Pallet

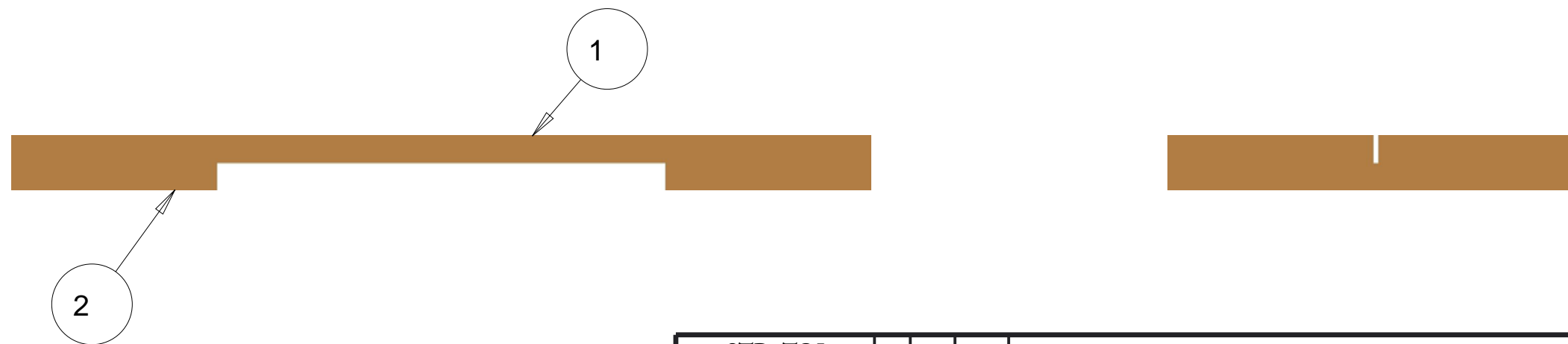
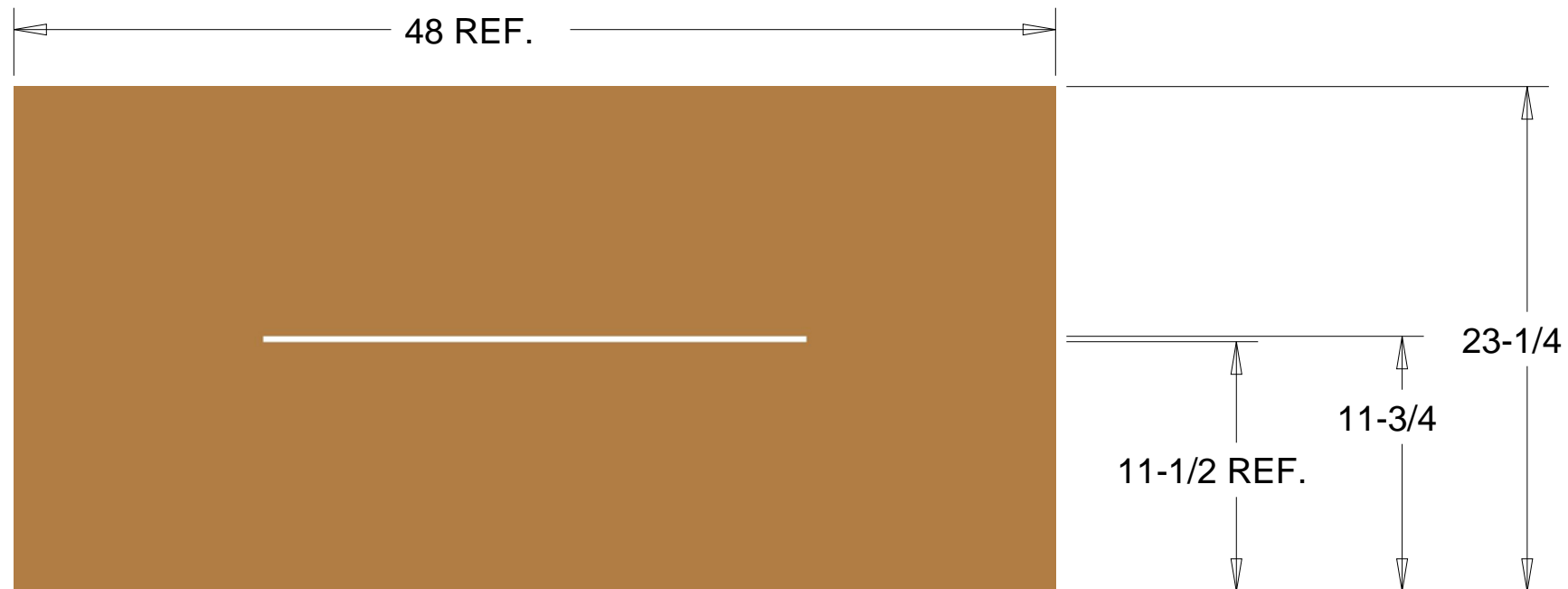


MATERIAL: PRESSURE TREATED PINE 2 X 12

STD. TOL.						DRAWN: DCM	
FRACTIONAL: 0 TO 6 IN + - 1/32 6 IN AND UP + - 1/16						DESIGNED: DCM	
ANGULAR: + - 1 DEG.	A.1					APPROVED:	
DECIMAL: 1 PLACE + - 0.05 2 PLACE + - 0.01 3 PLACE + - 0.005	NO.	BY	DATE	REVISION		DATE: 28-Aug-2018	
PROJECT NO.:	TITLE: PALLET_B					SCALE:	
							SIZE: B

ROSCOMMON EQUIPMENT CENTER
P.O. BOX 68 ROSCOMMON, MICHIGAN 48653

ITEM	PART NO.	DWG	DESCRIPTION	QTY
1	42-0032	B	PALLET_A	2
2	42-0033	B	PALLET_B	2



STD. TOL.								DRAWN: DCM		
FRACTIONAL: 0 TO 6 IN + - 1/32 6 IN AND UP + - 1/16								DESIGNED: DCM		
ANGULAR: + - 1 DEG.	A.1							APPROVED:		
DECIMAL: 1 PLACE + - 0.05 2 PLACE + - 0.01 3 PLACE + - 0.005	No.	BY	DATE	REVISION				DATE: 28-Aug-2018		
PROJECT NO.:	TITLE: STANDING_PALLET							SCALE:	DWG. NO. 42-0034	SIZE: B

